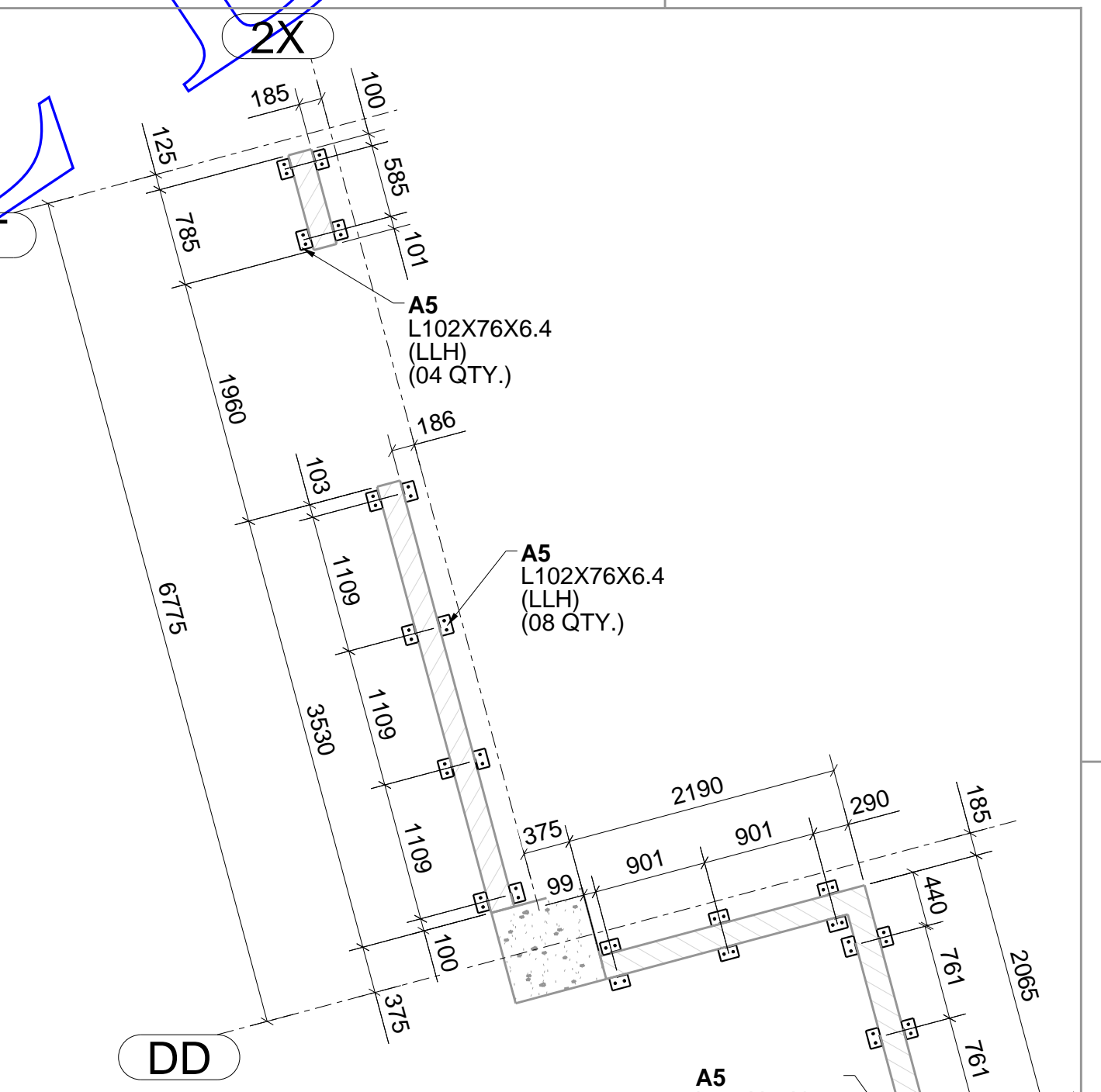
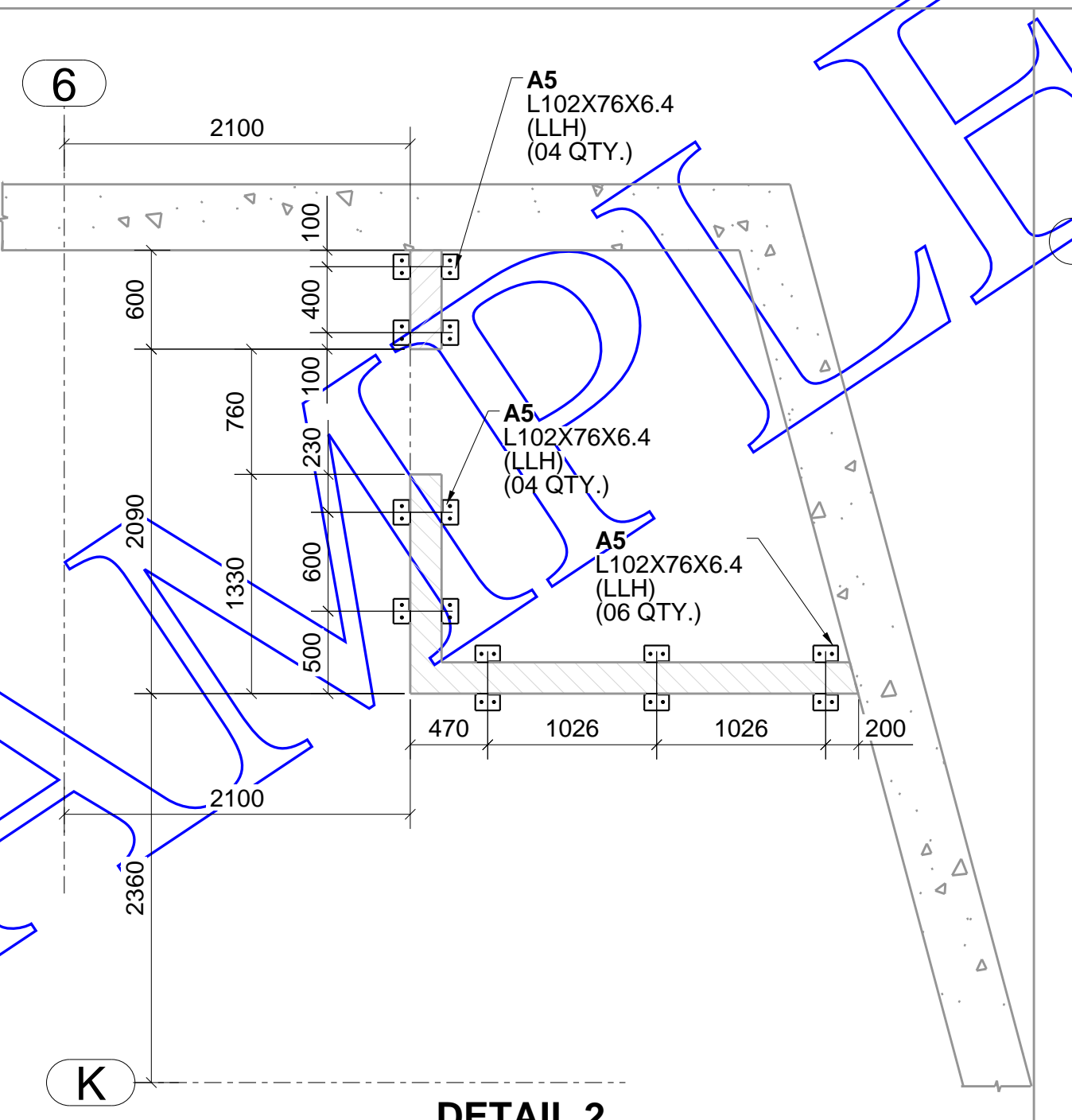
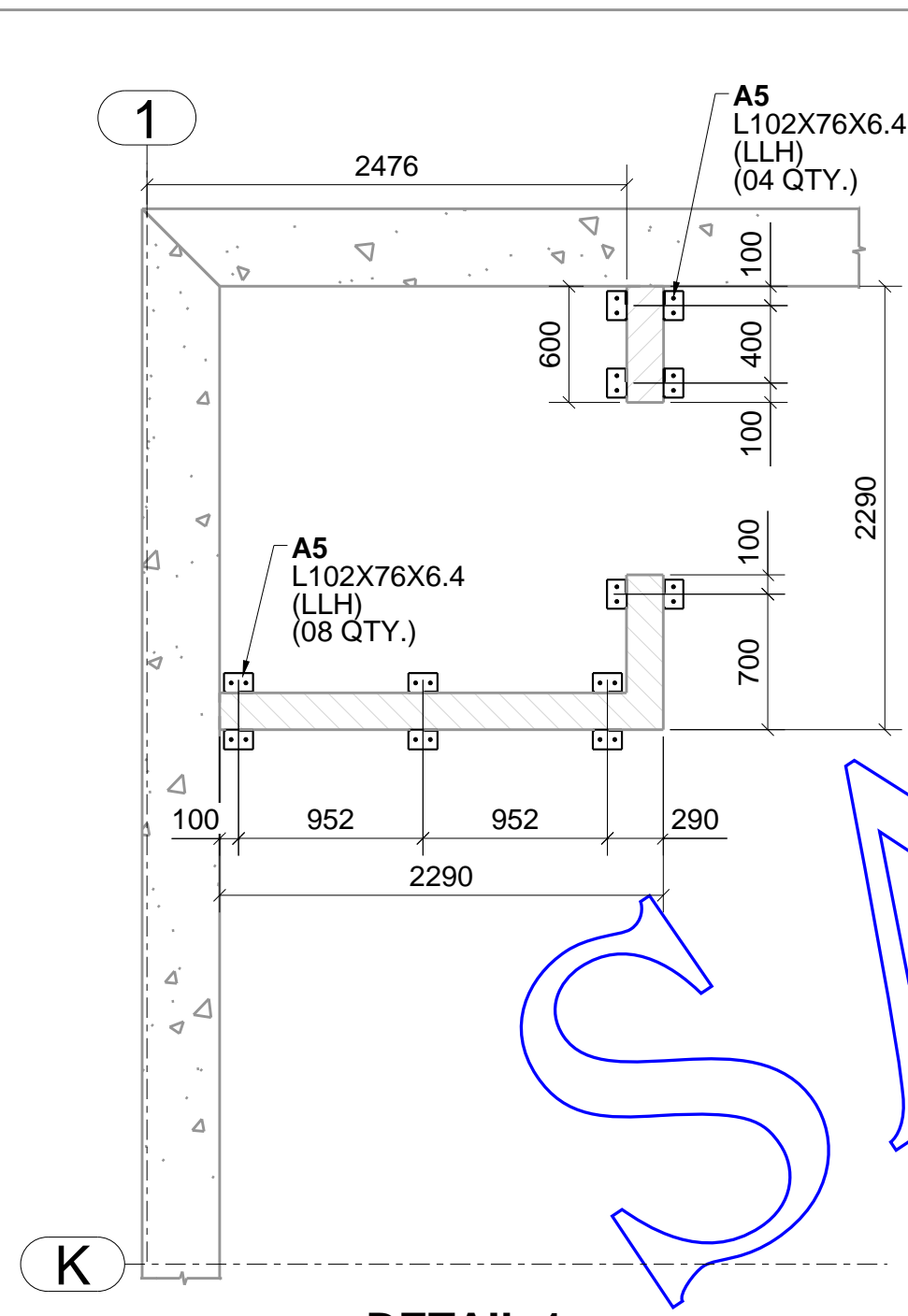
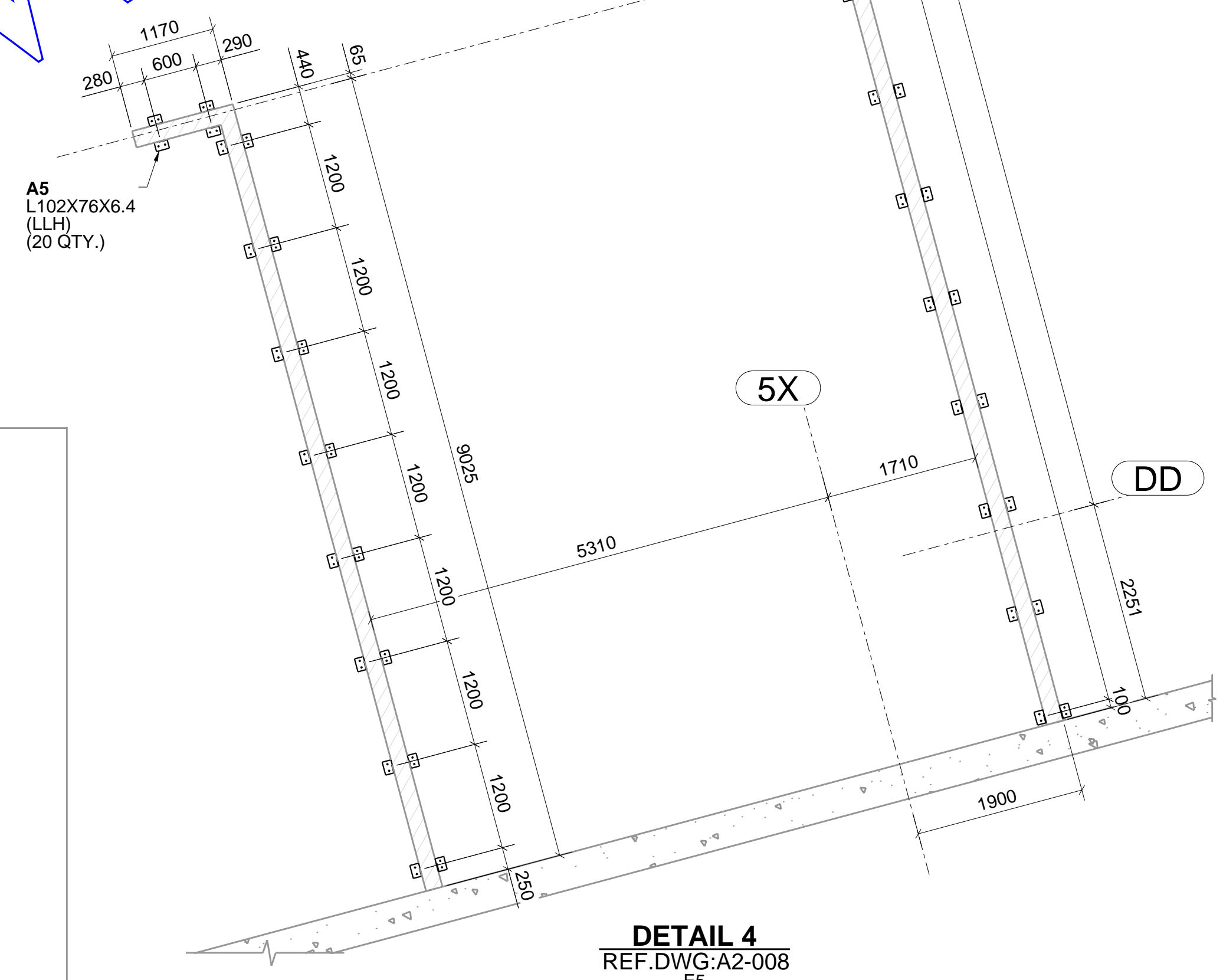
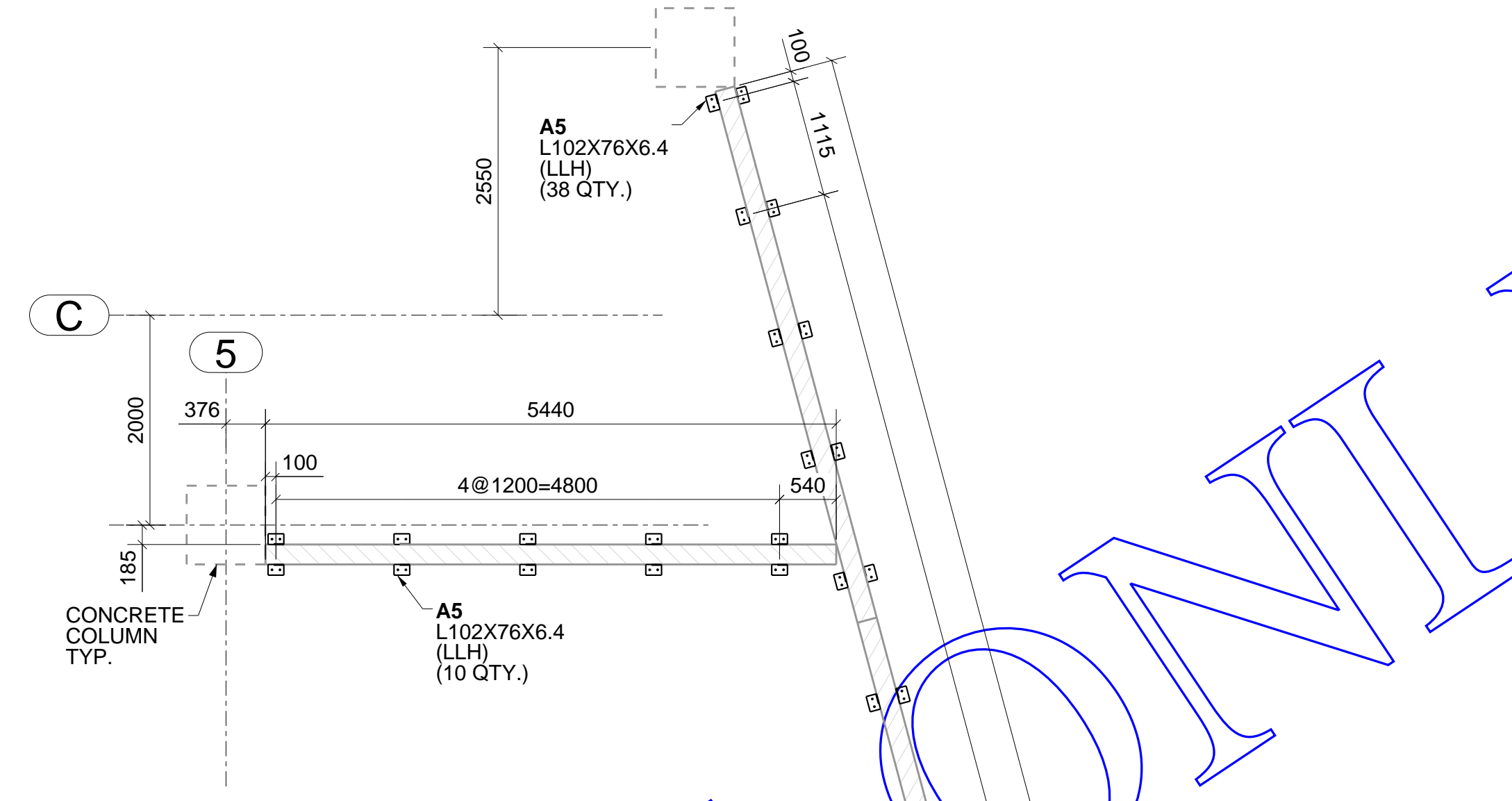
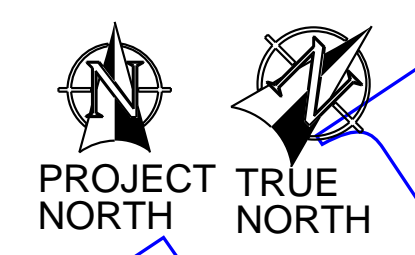


LATERAL MASONRY WALL SUPPORTS @ LEVEL P2
(REF. DWG. : A2-008)



DETAIL 4
REF. DWG: A2-008
E5

DETAIL 1
(REF. DWG: 6/A3-110)
E5

DETAIL 2
(REF. DWG: 10/A3-110)
E5

DETAIL 3
(REF. DWG: A2-008)
E5

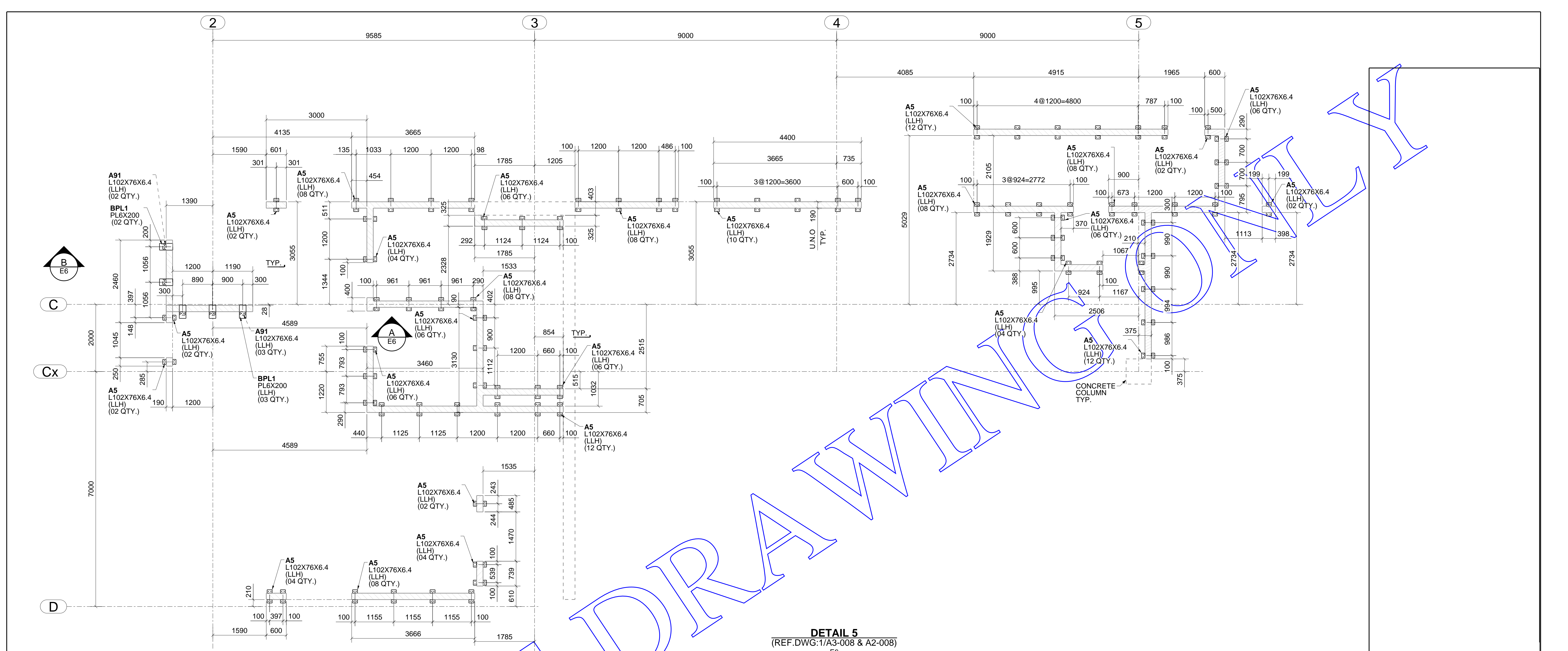
FOR TYPICAL SECTIONS & DETAILS REFER SHEET-E6

NOTE:-
ALL DIMENSIONS ARE SHOWN IN MM ONLY.

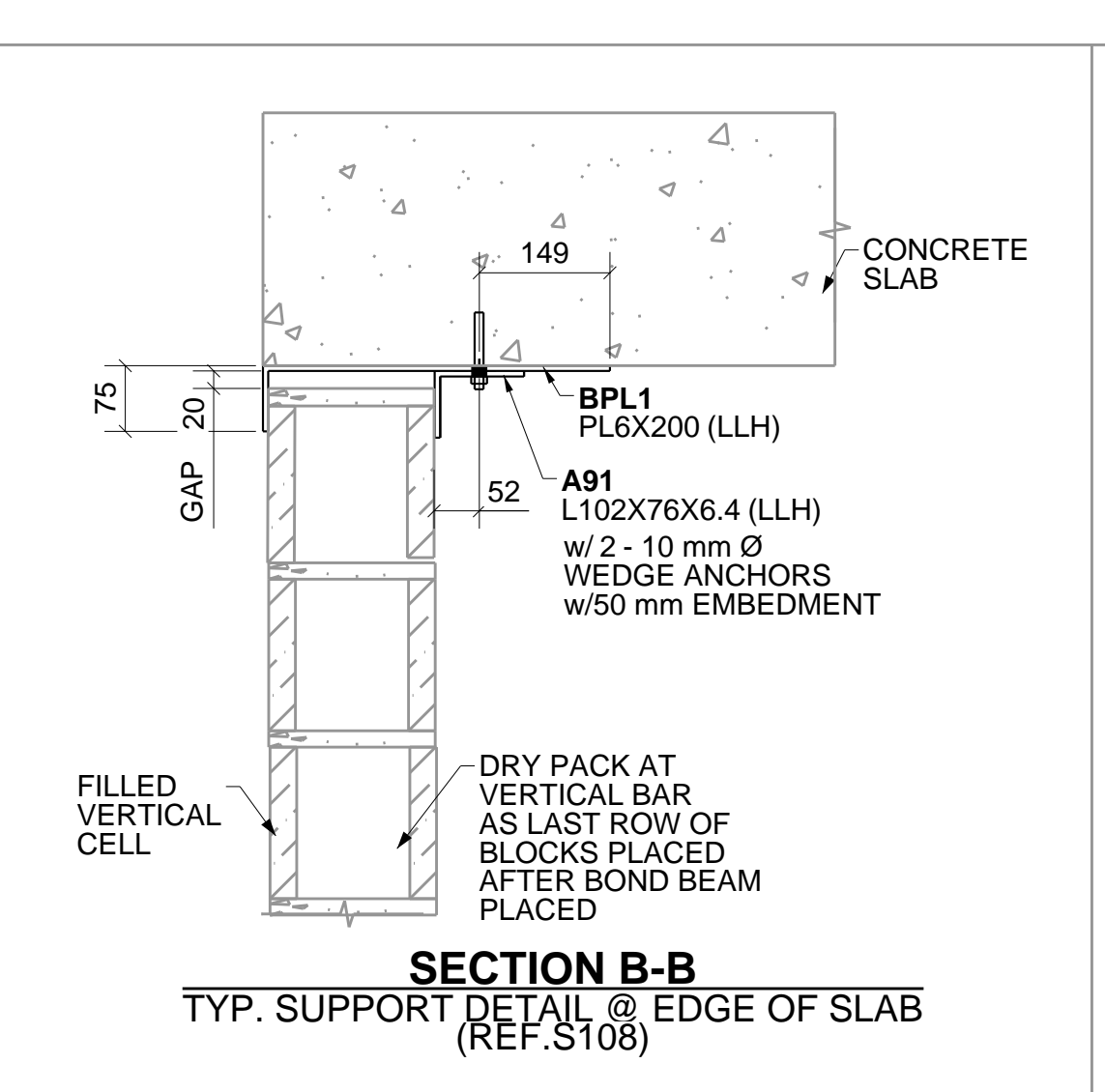
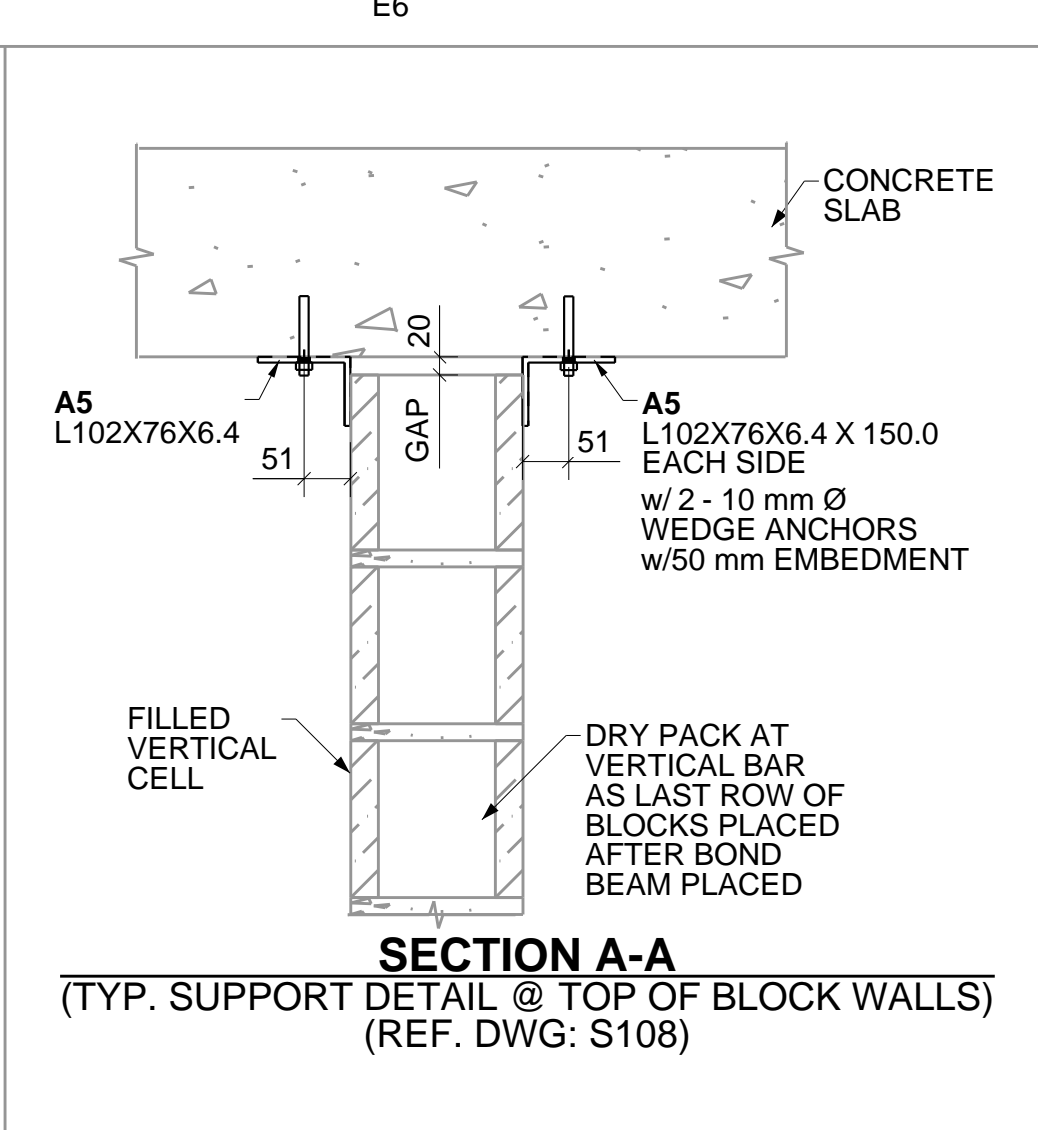
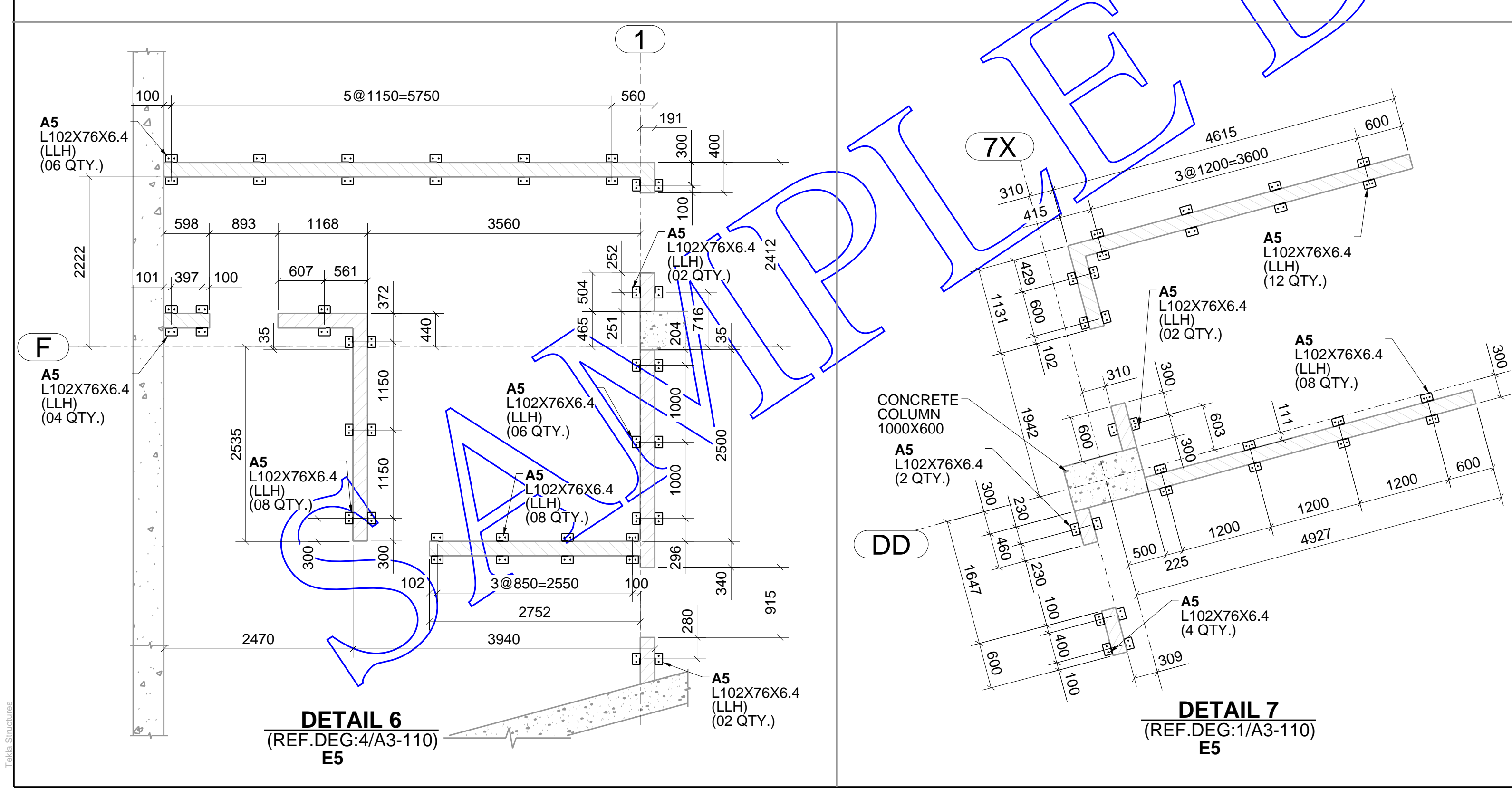
GC NOTE:
GC TO CO-ORDINATE ALL LATERAL MASONRY WALL SUPPORTS DIMENSIONS ELEVATIONS IN FIELD.

Client:
Engineer:

Project Address:			
Project Description: Main and Misc. steel for Zibi Block 211			
Drawing Description: LATERAL MASONRY WALL SUPPORTS @ LEVEL P2			
Date:	Scale:	Drawn By: PVMK	Checked By: MAK
Project Number: 2364	Drawing Number: E5	1	



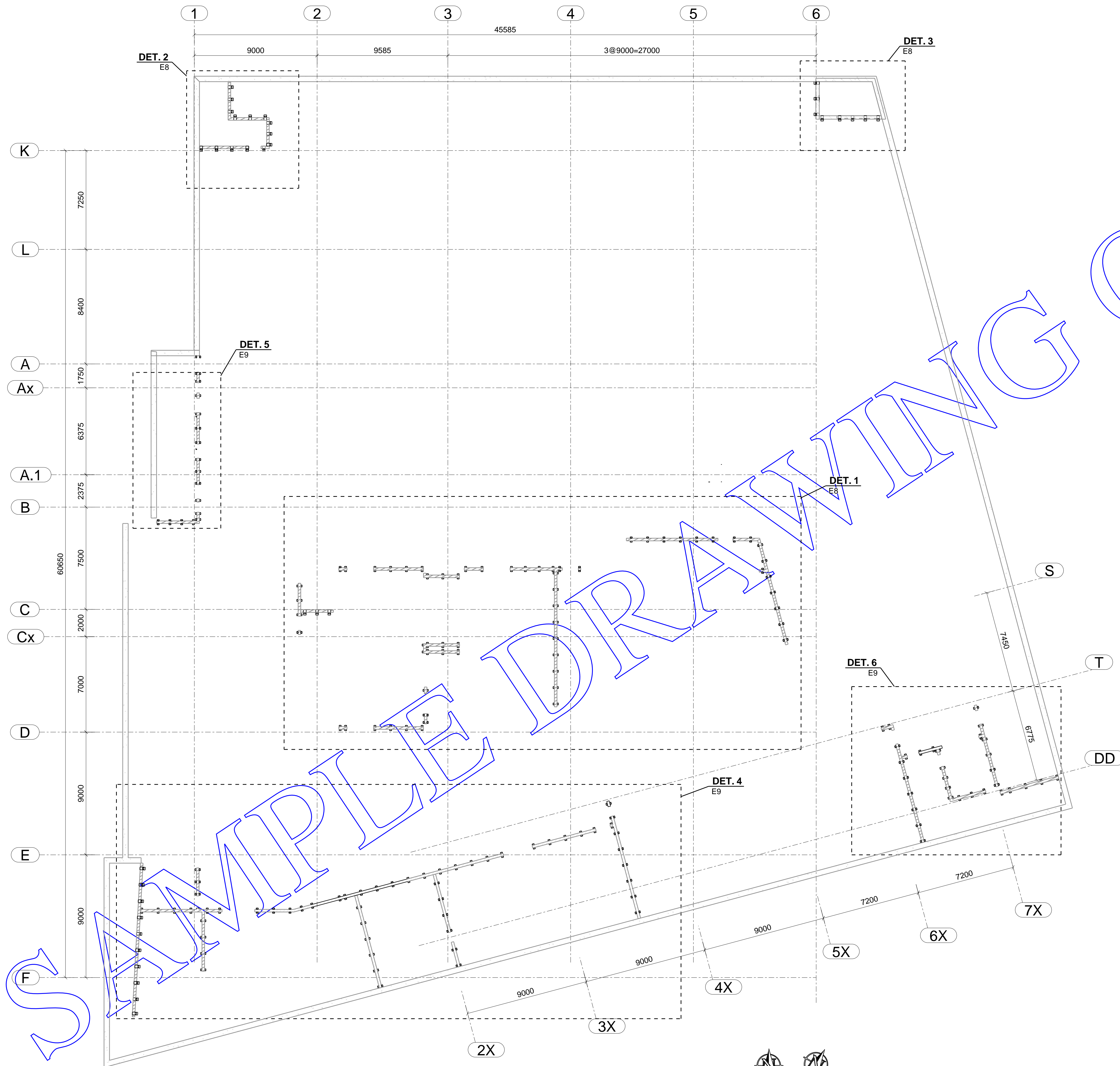
DETAIL 5
(REF. DWG: 1/A3-008 & A2-008)
E6



NOTE:-
ALL DIMENSIONS ARE SHOWN IN MM ONLY.

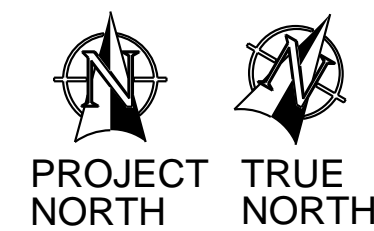
GC NOTE:-
GC TO FIELD VERIFY ALL LATERAL MASONRY WALL SUPPORT LOCATING DIMENSIONS AND ELEVATIONS.

Client:			
Engineer:			
Project Address:			
Project Description:			
Drawing Description: MASONRY WALL SUPPORTS DETAILS			
Date:	Scale:	Drawn By: PVMK	Checked By: MAK
Project Number: 2364	Drawing Number: E6		1

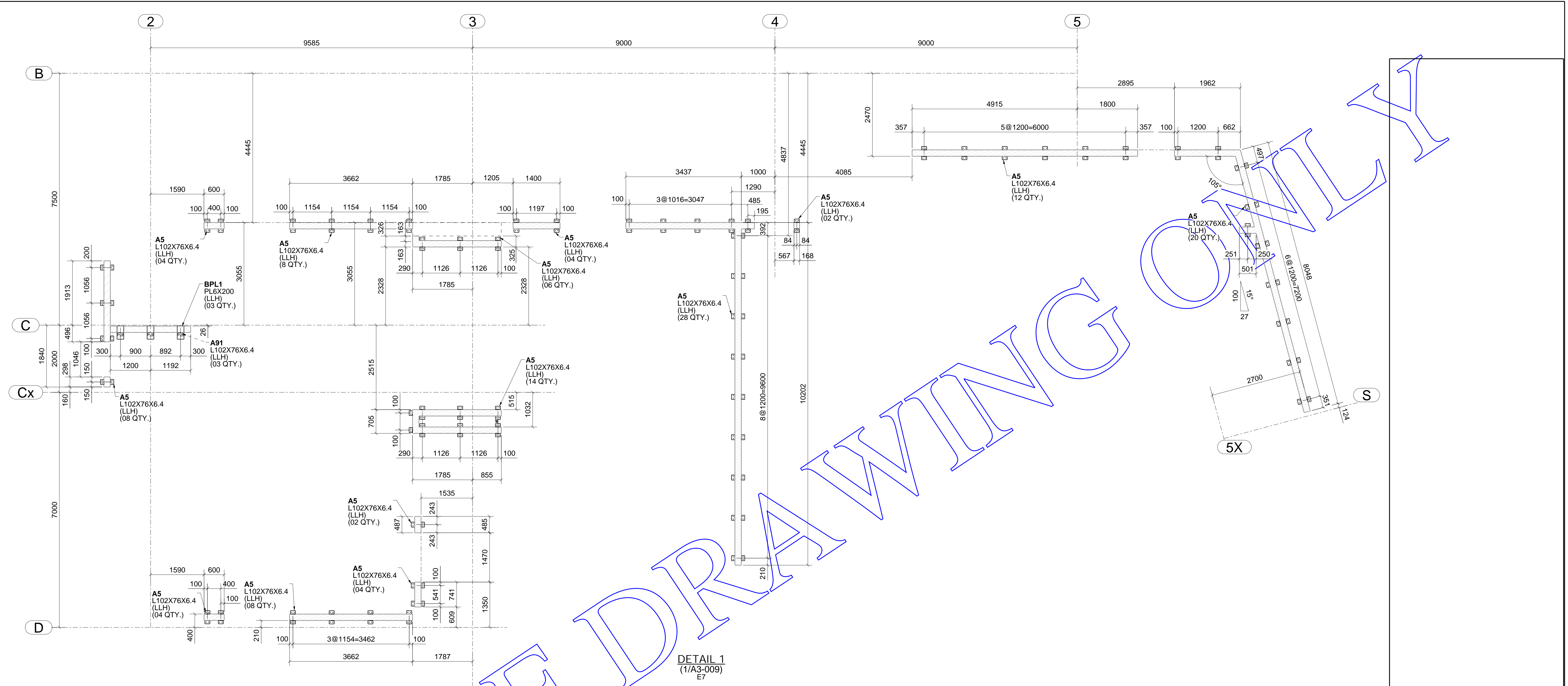


SAMPLE DRAWING ONLY

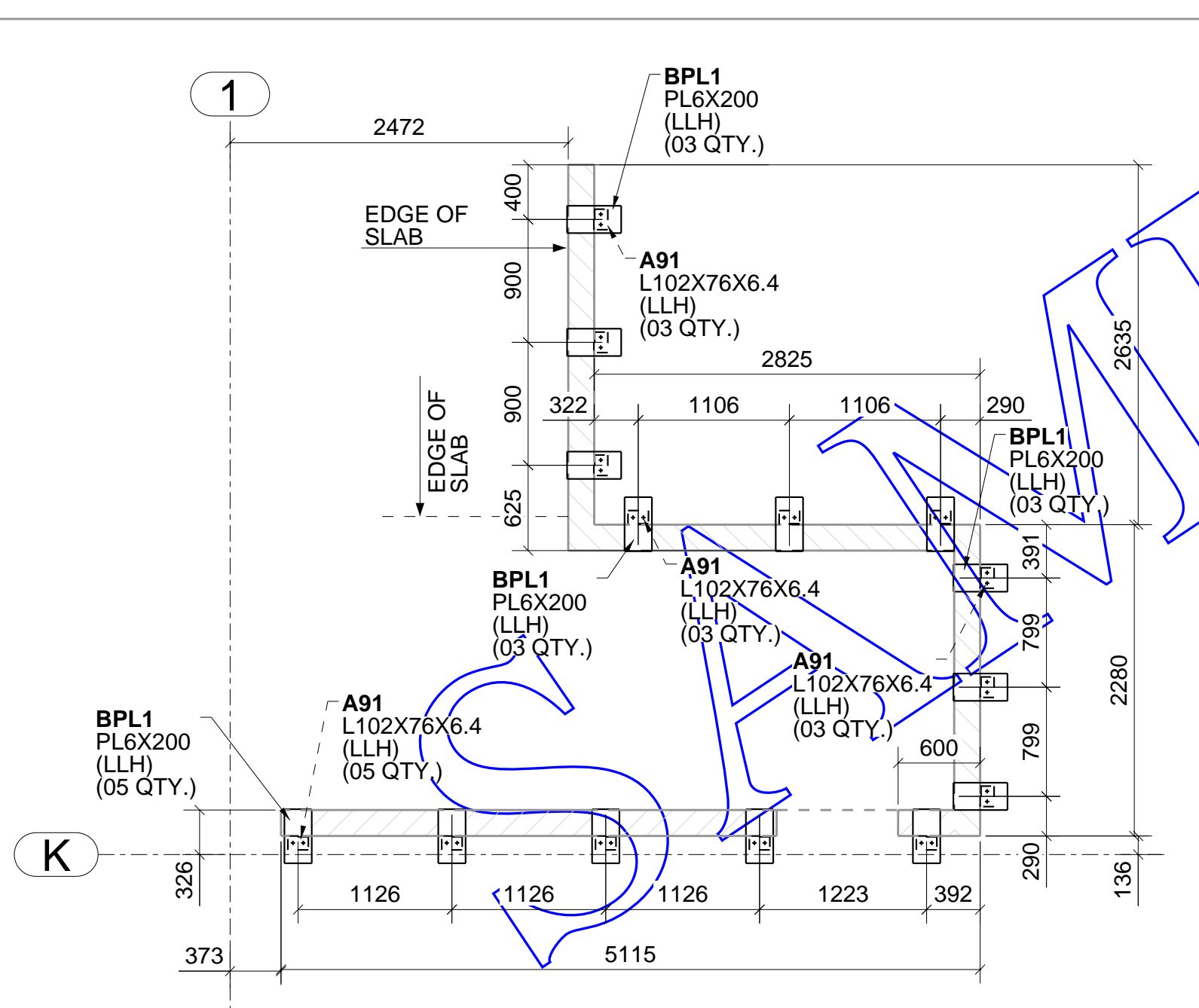
LATERAL MASONRY WALL SUPPORTS PLAN @ LEVEL P1
(REF:A2-009)



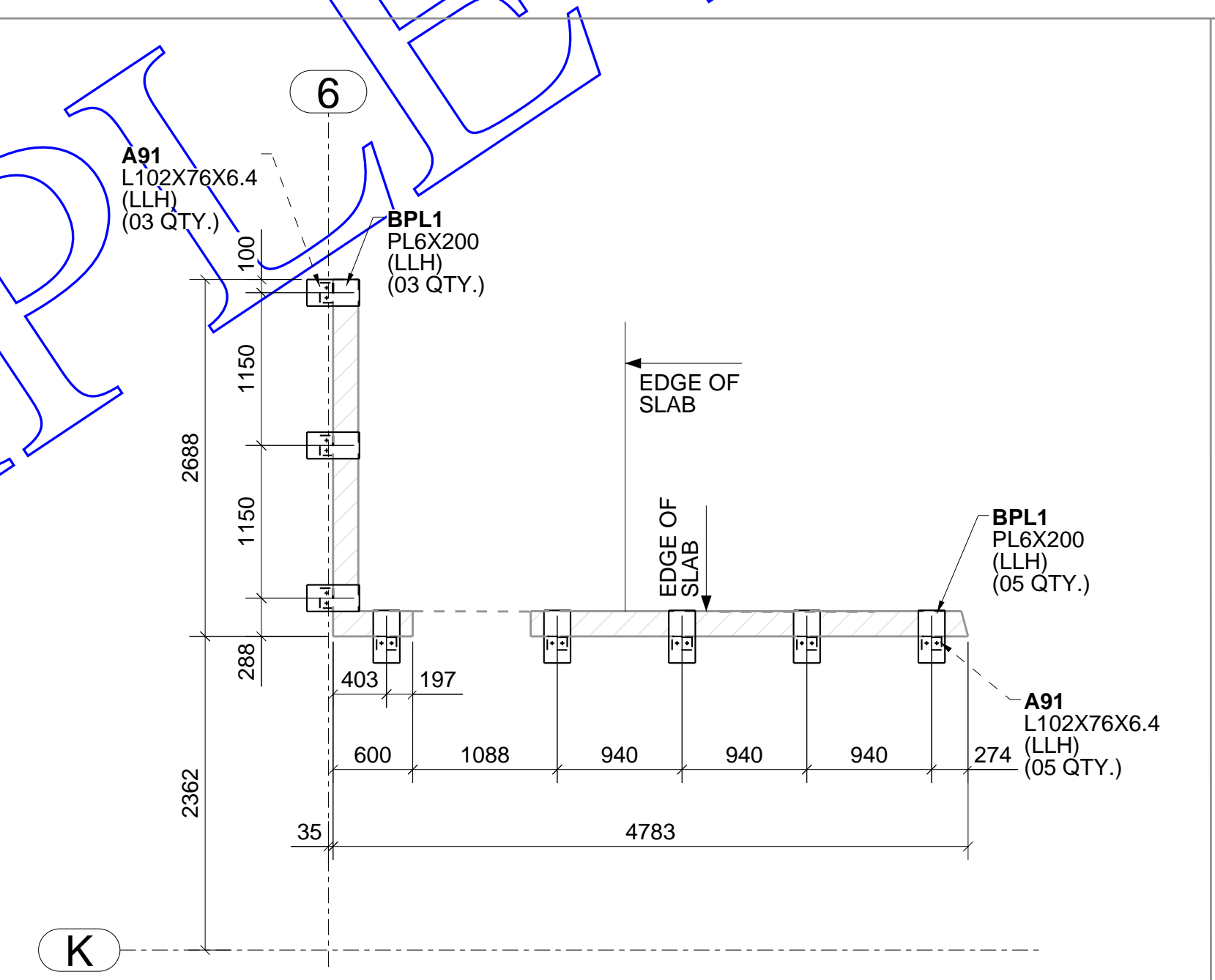
Client:			
Engineer:			
Project Address:			
Project Description: Main and Misc. steel for Zibi Block 211			
Drawing Description: LATERAL MASONRY WALL SUPPORTS @ LEVEL P1			
Date:	Scale:	Drawn By: PVMK	Checked By: MAK
Project Number: 2364	Drawing Number: E7	1	



DETAIL 1
(1/A3-009)
E7



DETAIL 2
(7/A3-110)
E7



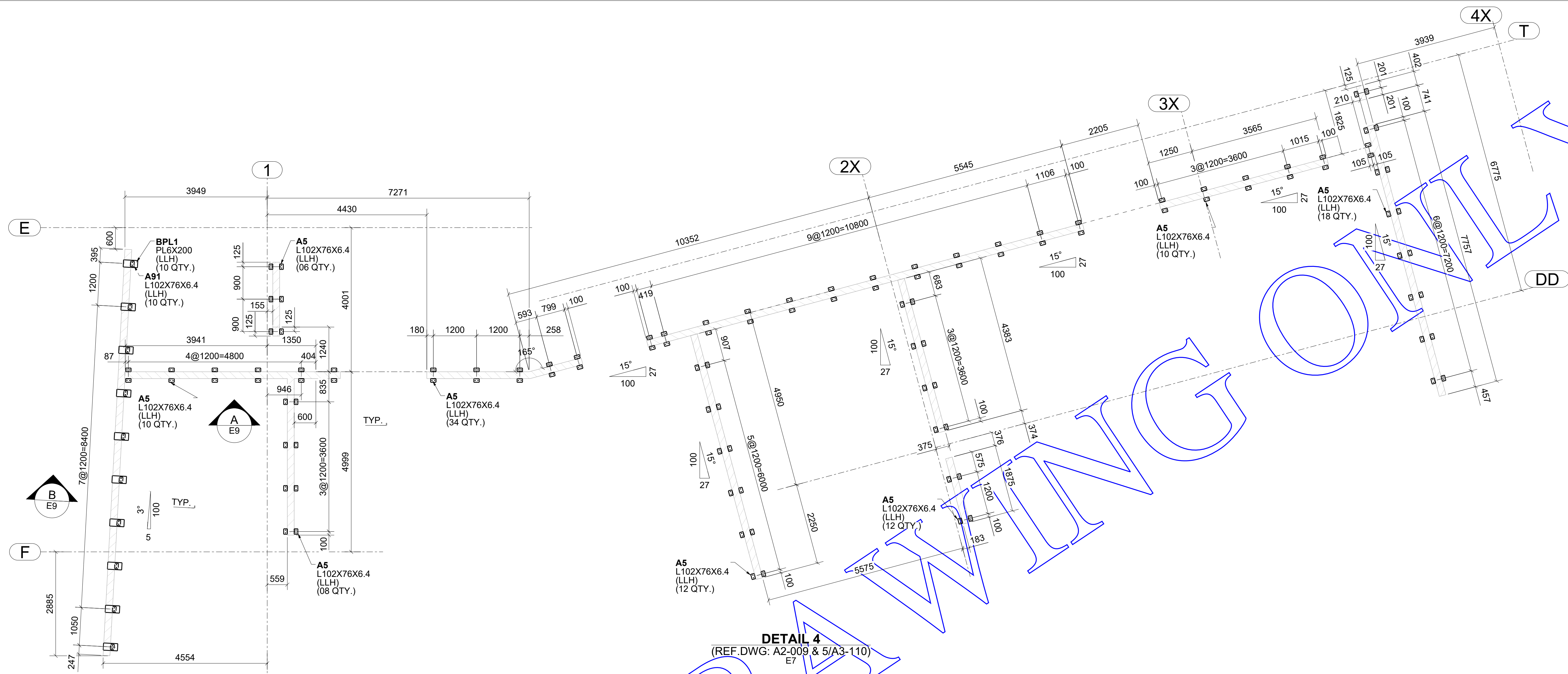
DETAIL 3
(11/A3-110)
E7

FOR TYPICAL SECTIONS AND DETAILS REFER SHEET-E9

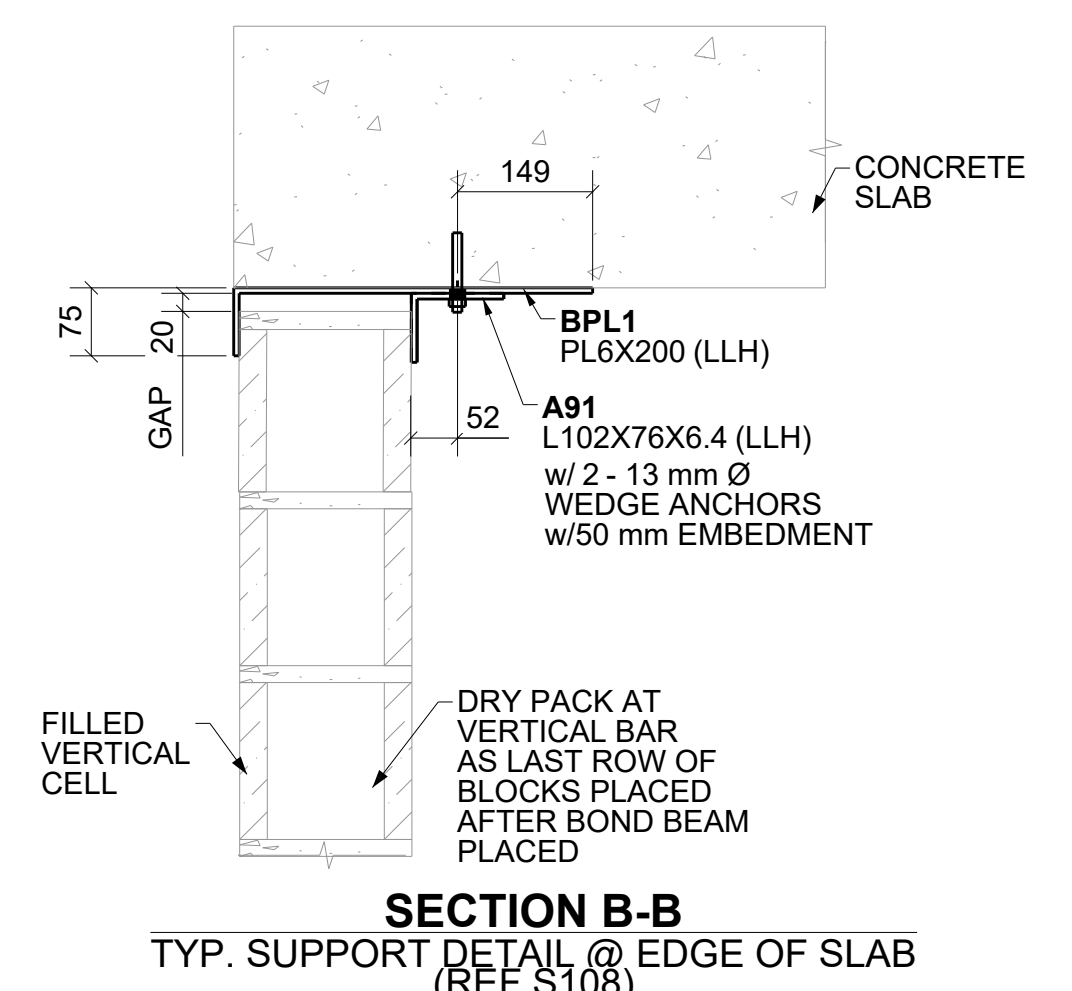
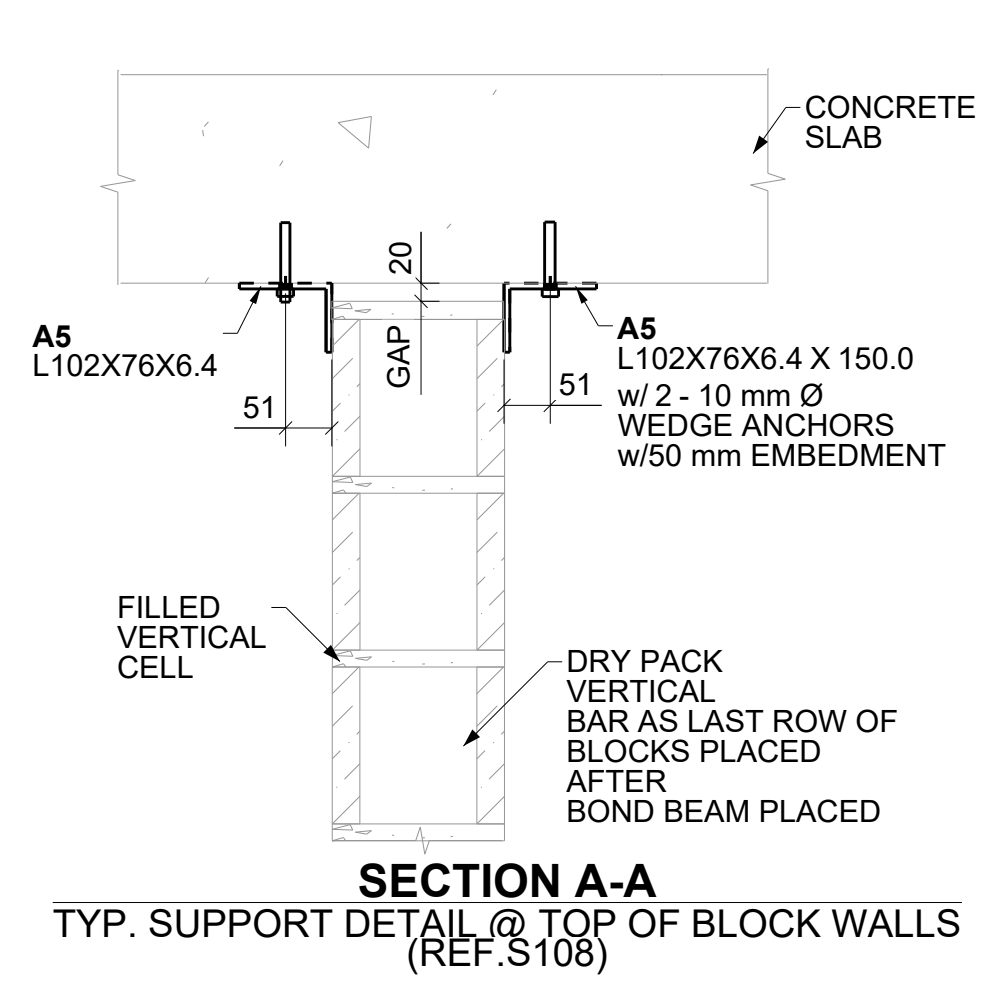
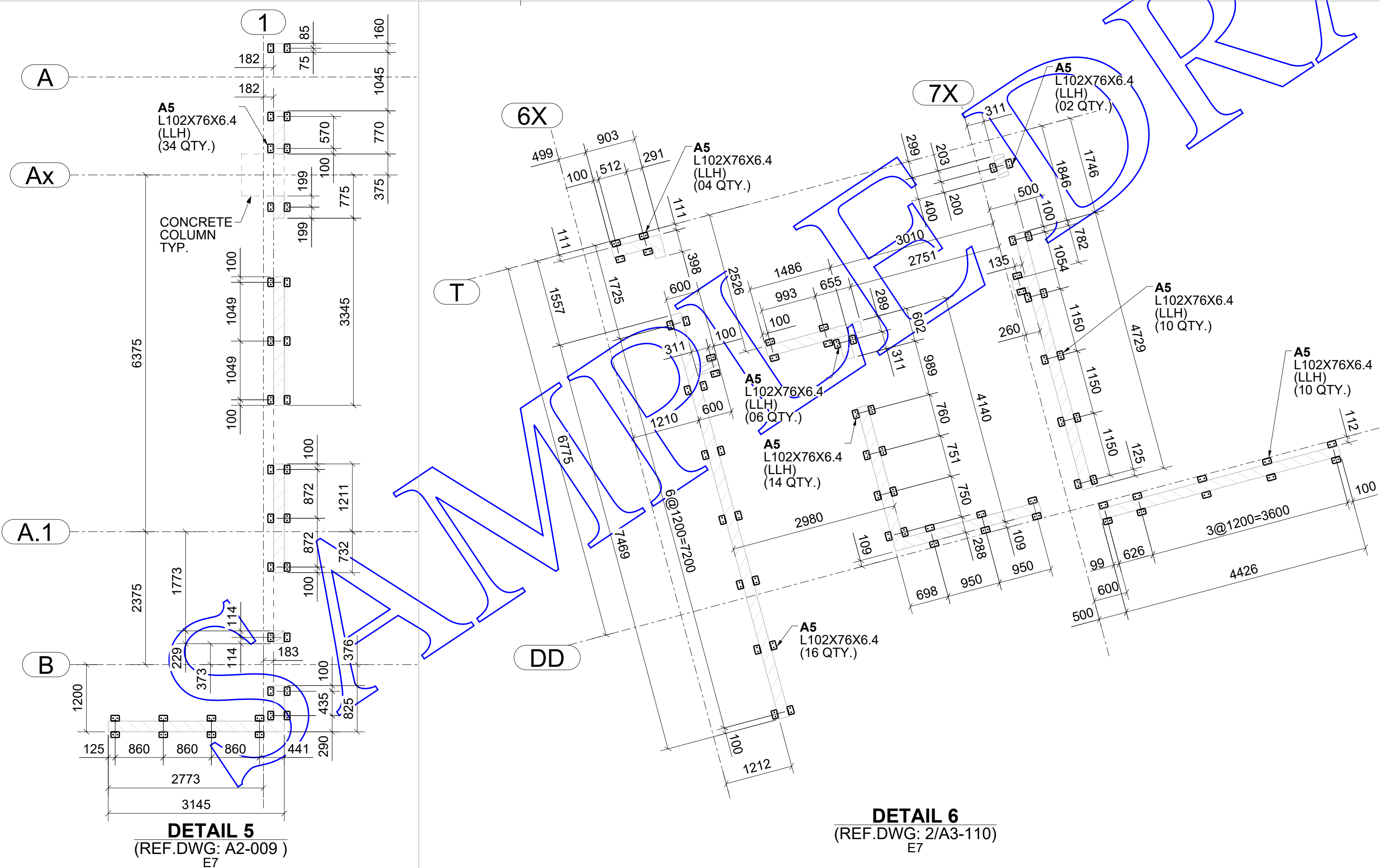
NOTE:-
ALL DIMENSIONS ARE SHOWN IN MM ONLY.

GC NOTE:-
GC TO FIELD VERIFY ALL LATERAL MASONRY WALL SUPPORT LOCATING DIMENSIONS AND ELEVATIONS.

Client:			
Engineer:			
Project Address:			
Project Description: Main and Misc. steel for Zibi Block 211			
Drawing Description: MASONRY WALL SUPPORTS DETAILS			
Date:	Scale:	Drawn By: PVMK	Checked By: MAK
Project Number: 2364	Drawing Number: E8	1	



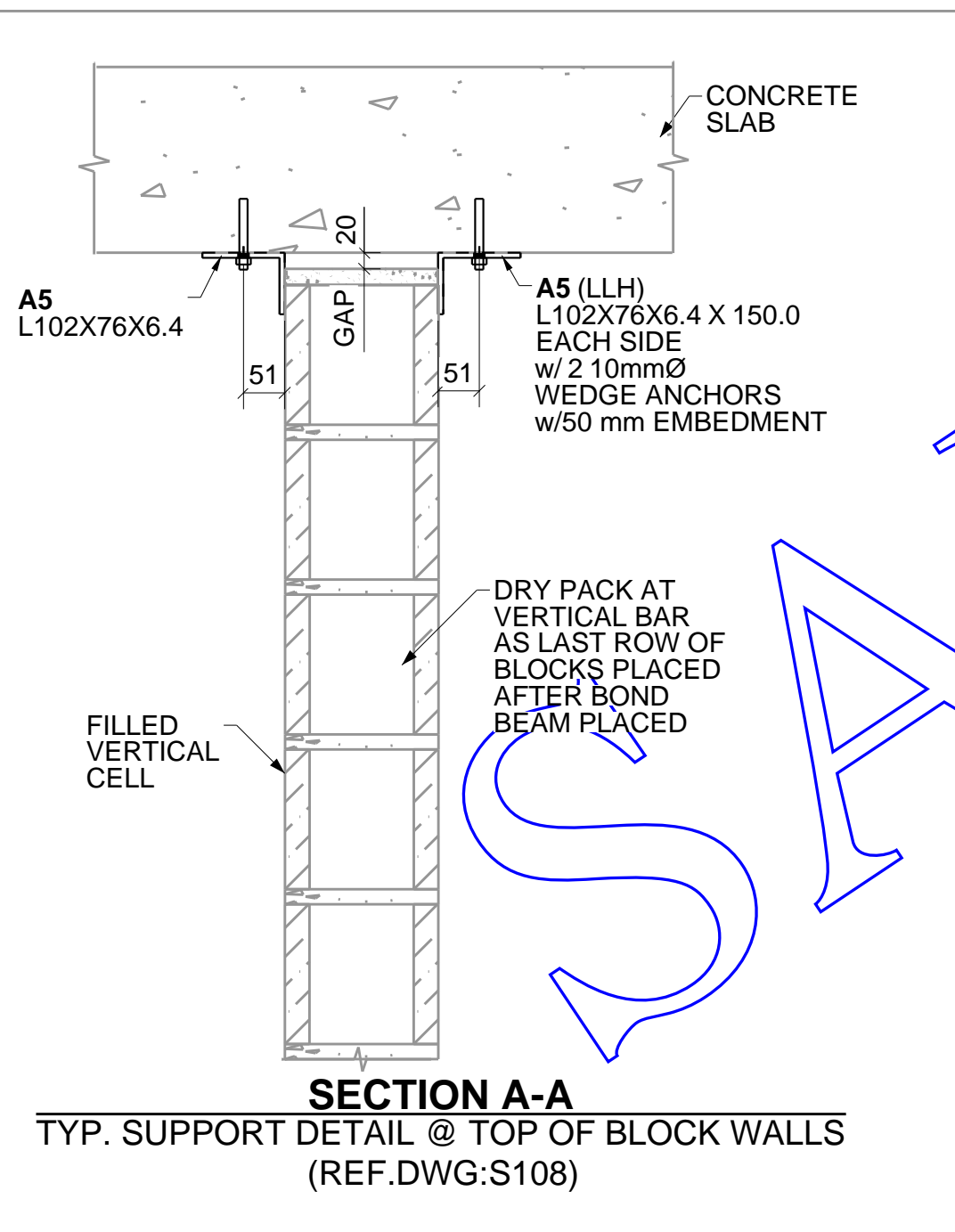
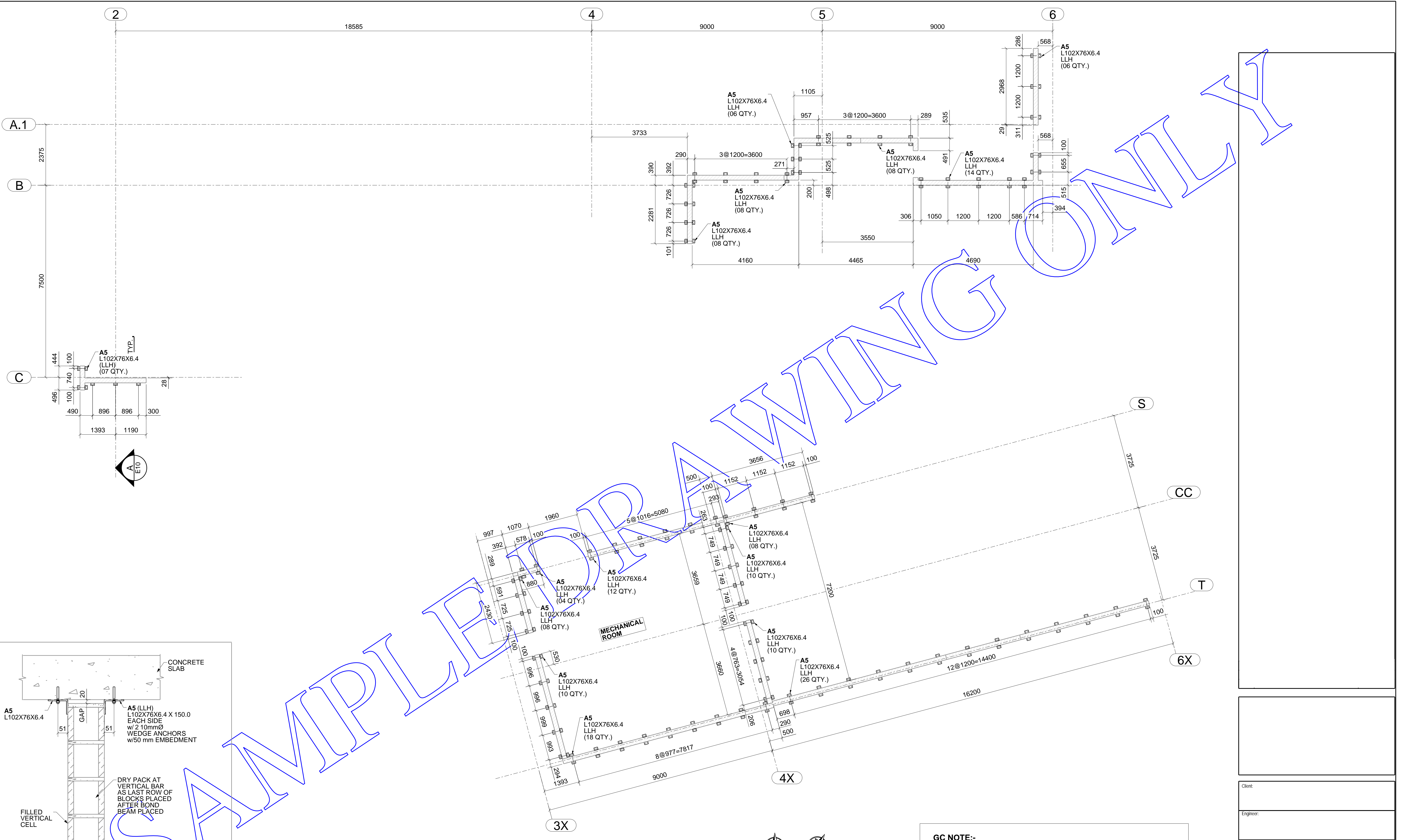
DETAIL 4
(REF.DWG: A2-009 & 5/A3-110)
E7



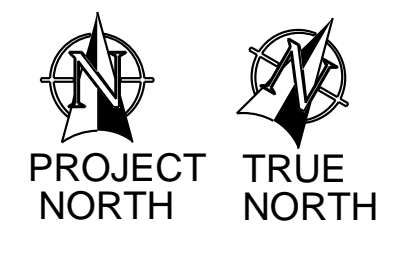
NOTE:-
ALL DIMENSIONS ARE SHOWN IN MM ONLY.

GC NOTE:-
GC TO FIELD VERIFY ALL LATERAL MASONRY WALL SUPPORT LOCATING DIMENSIONS AND ELEVATIONS.

Client:			
Engineer:			
Project Address:			
Project Description: Main and Misc. steel for Zibi Block 211			
Drawing Description: MASONRY WALL SUPPORTS DETAILS			
Date:	Scale:	Drawn By: PVMK	Checked By: MAK
Project Number: 2364	Drawing Number: E9	1	



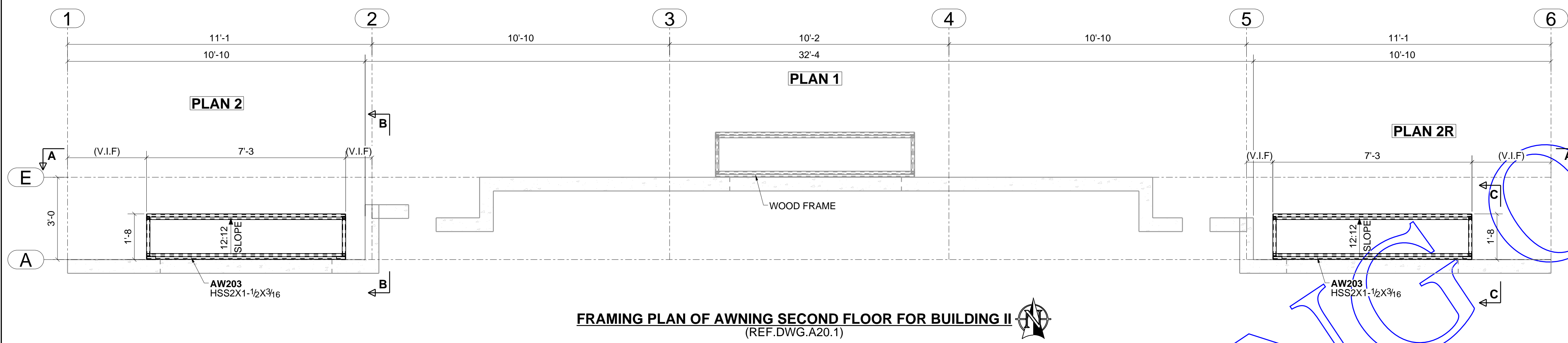
LATERAL MASONRY WALL SUPPORTS PLAN @ LEVEL 1
(REF.DWG:A2-010)



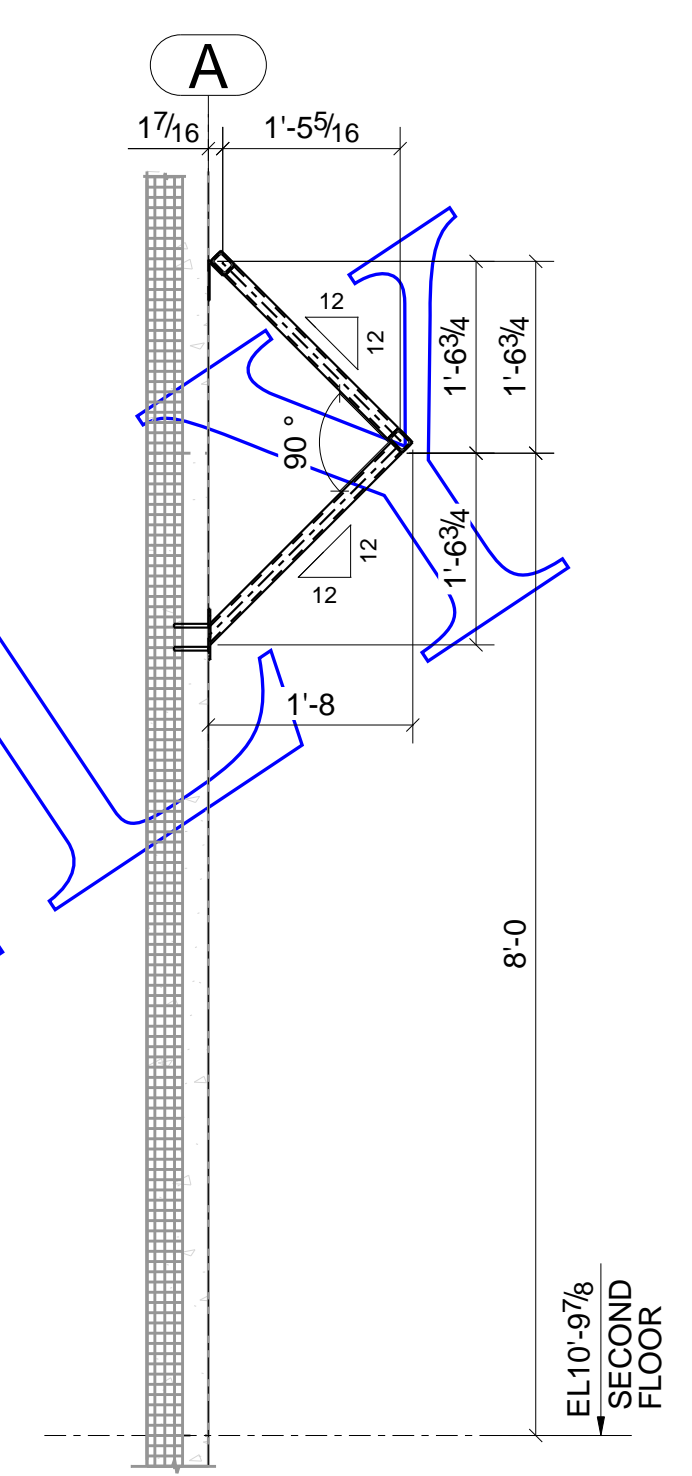
GC NOTE:-
GC TO FIELD VERIFY ALL LATERAL MASONRY WALL SUPPORT LOCATING DIMENSIONS AND ELEVATIONS.

NOTE:-
ALL DIMENSIONS ARE SHOWN IN MM ONLY.

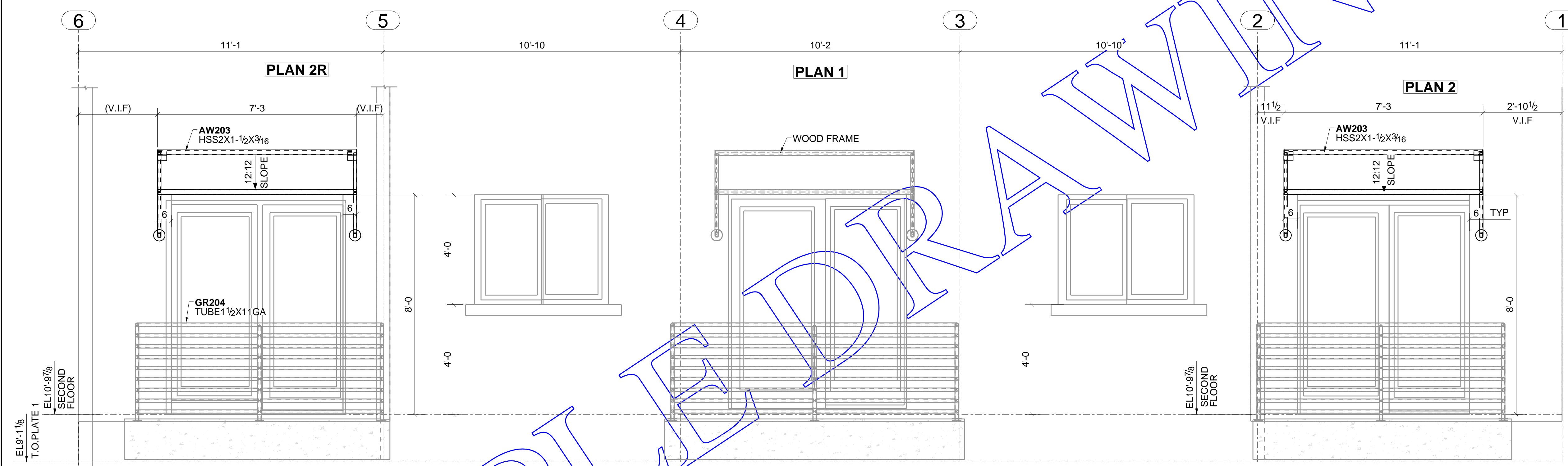
Client:			
Engineer:			
Project Address:			
Project Description: Main and Misc. steel for Zibi Block 211			
Drawing Description: LATERAL MASONRY WALL SUPPORTS @ LEVEL 1			
Date:	Scale:	Drawn By: PVMK	Checked By: MAK
Project Number: 2364	Drawing Number: E10	1	



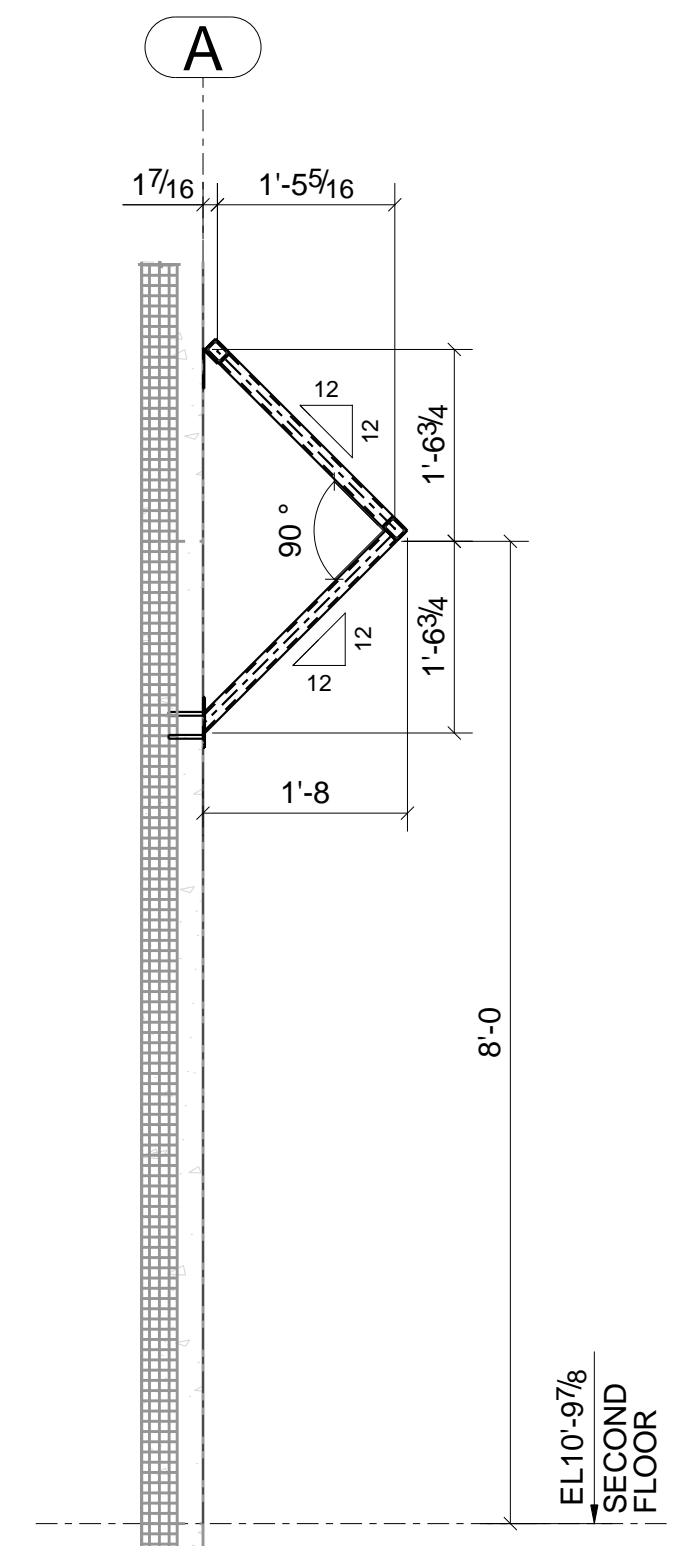
FRAMING PLAN OF AWNING SECOND FLOOR FOR BUILDING II
(REF.DWG.A20.1)



SECTION B - B
REF.DWG.3/D4



SECTION A - A
REF.DWG.C/A20.5
E206

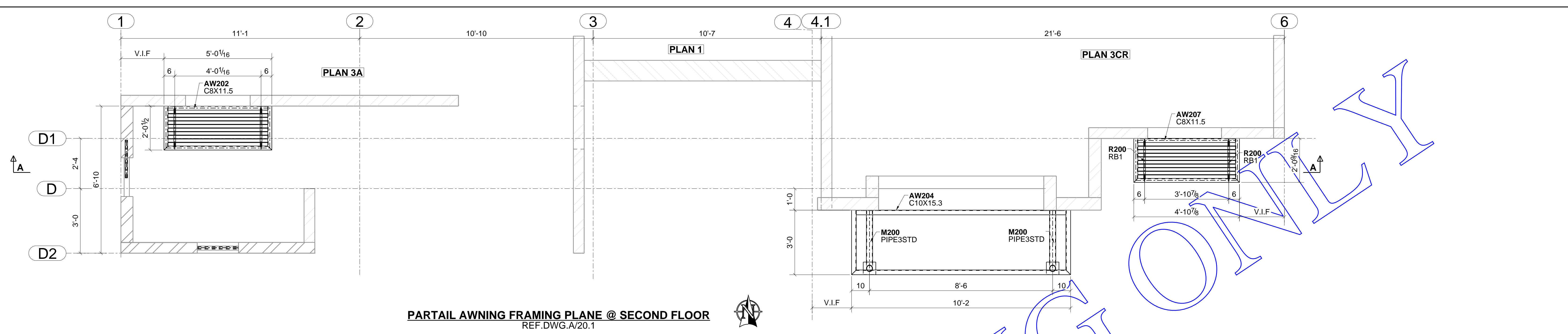


SECTION C - C
REF.DWG.3/D4

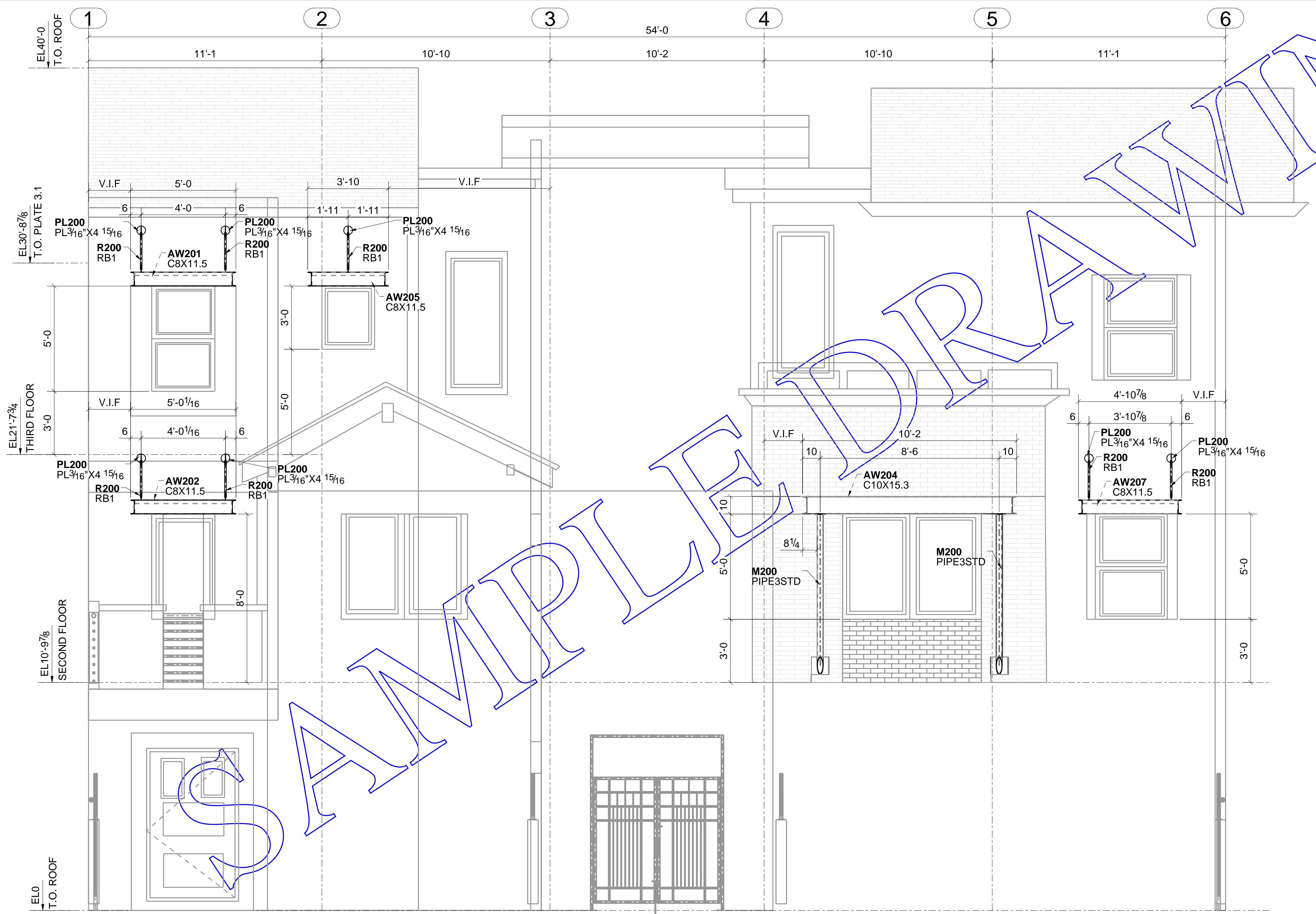
NOTE:
FOR TYPICAL SECTIONS AND DETAILS REFER SHEET E700

SAMPLE

HOLE SIZE	13/16Ø U.N.O.		
SHOP PAINT	AS NOTED		
PRINT RECORD	SCALE:	JOB NUMBER:	PO NUMBER:
	DATE:	#1908	
	JOB DESCRIPTION:		DRAWN BY: SAM
	CUSTOMER:		CHECKED BY: MAK
	TITLE:		DRAWING NUMBER:
	FRAMING PLAN OF AWNING FOR BUILDING II		E206



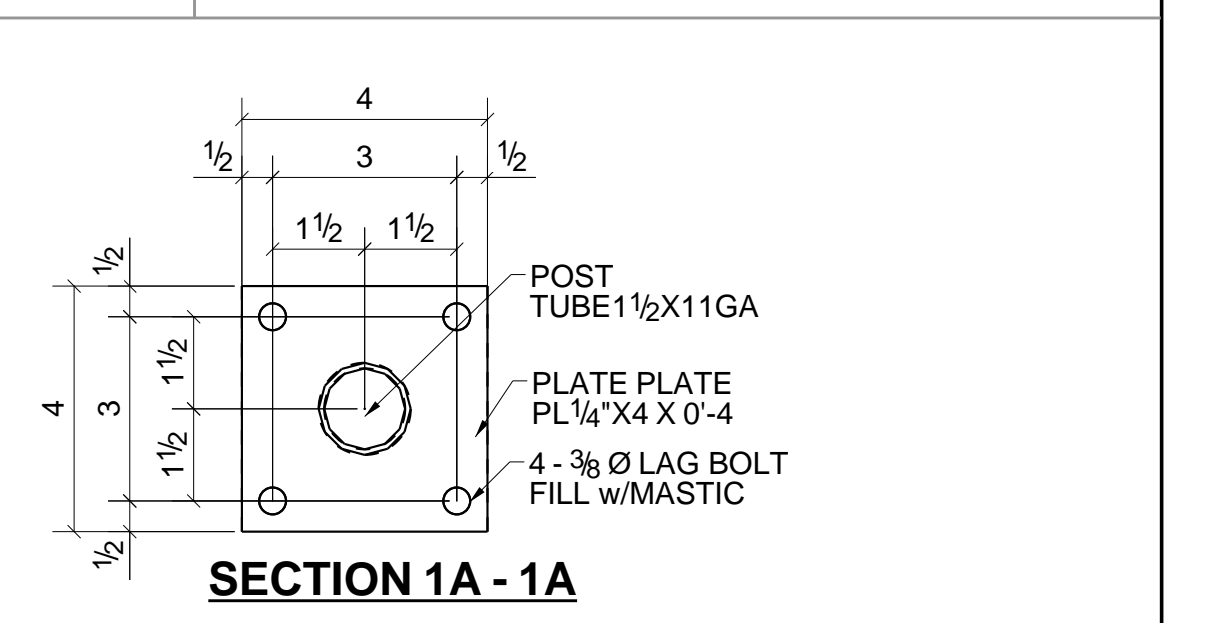
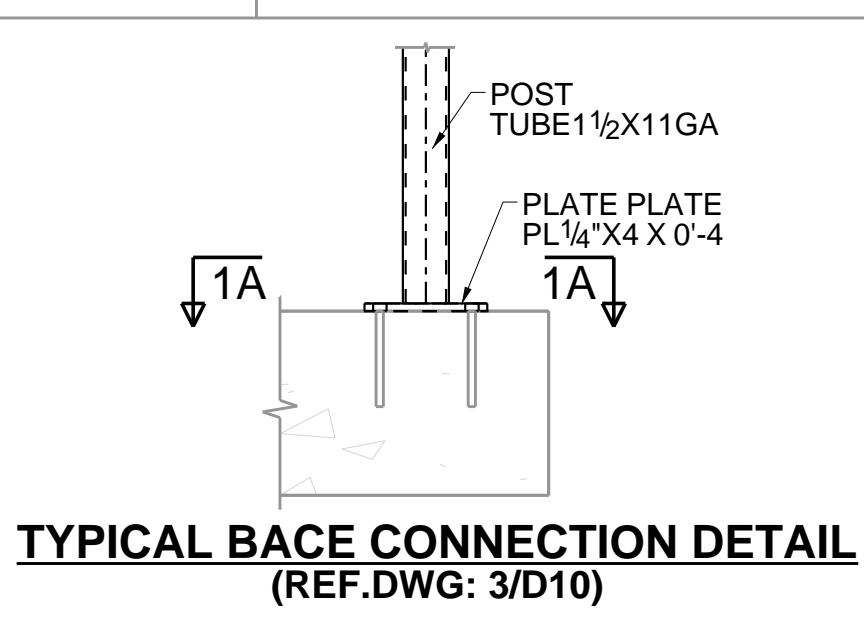
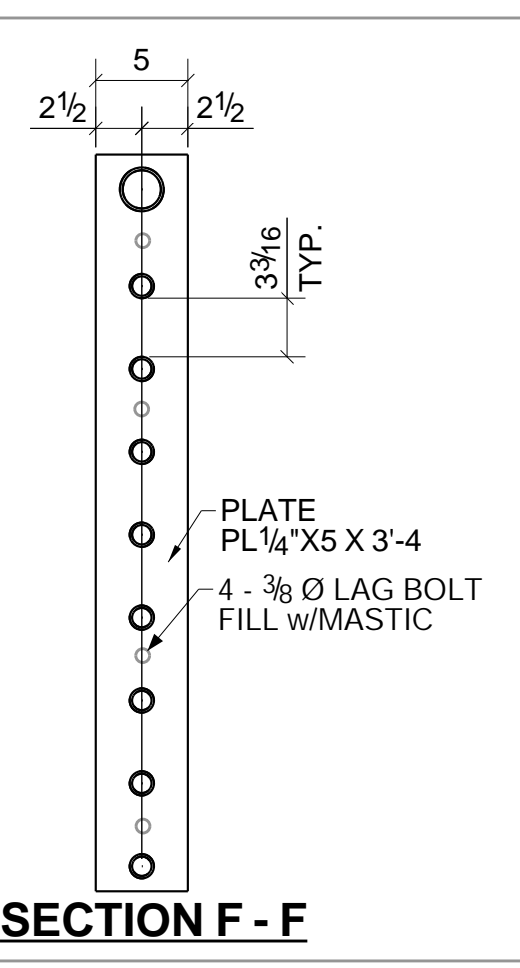
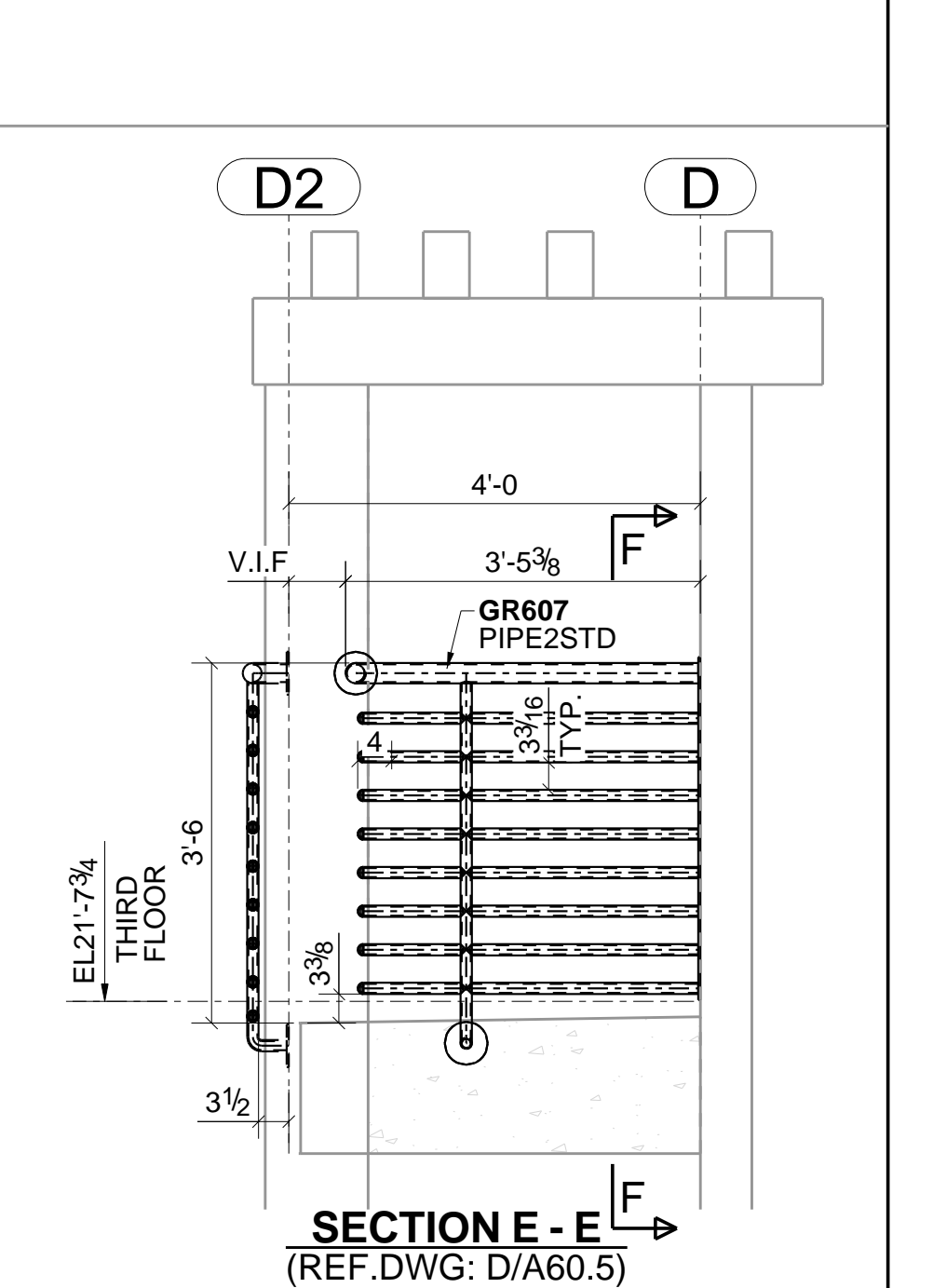
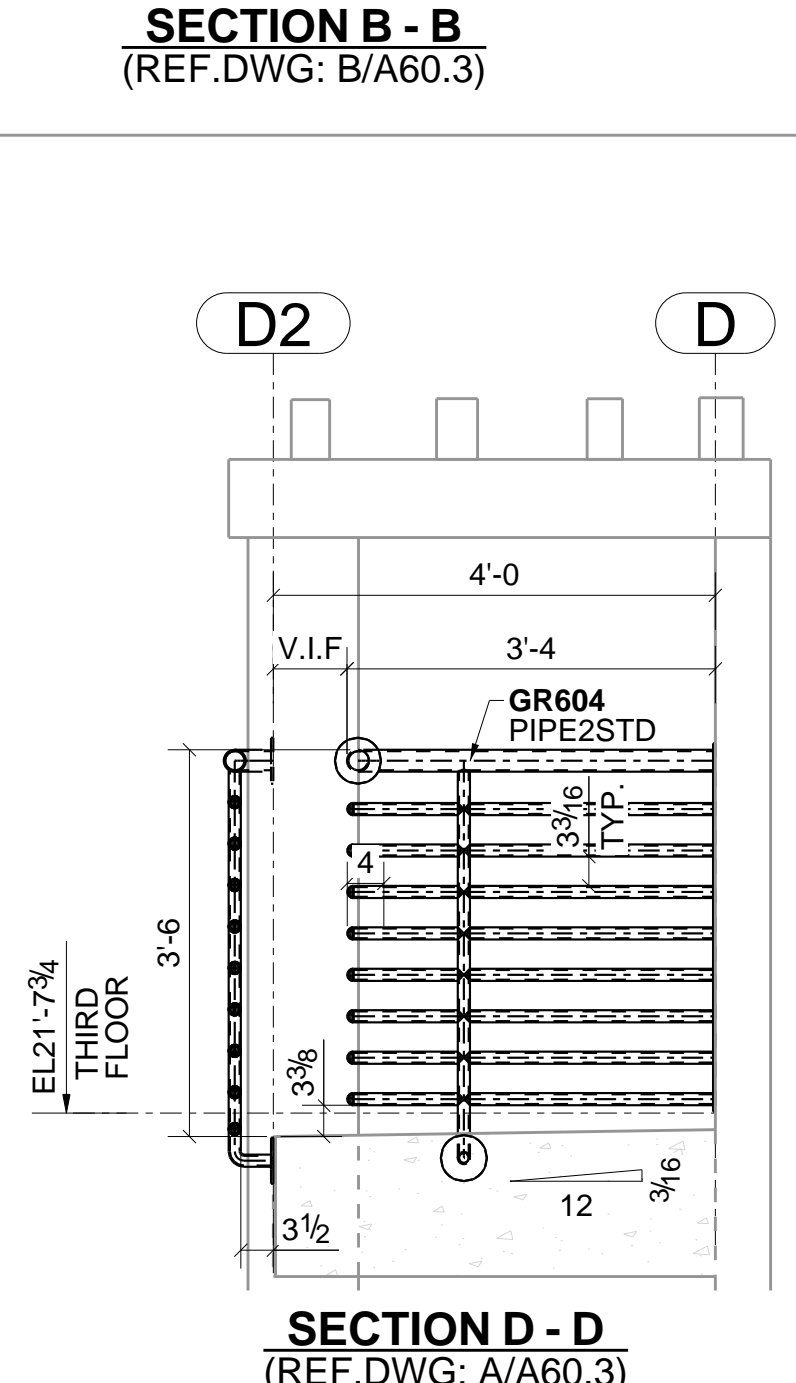
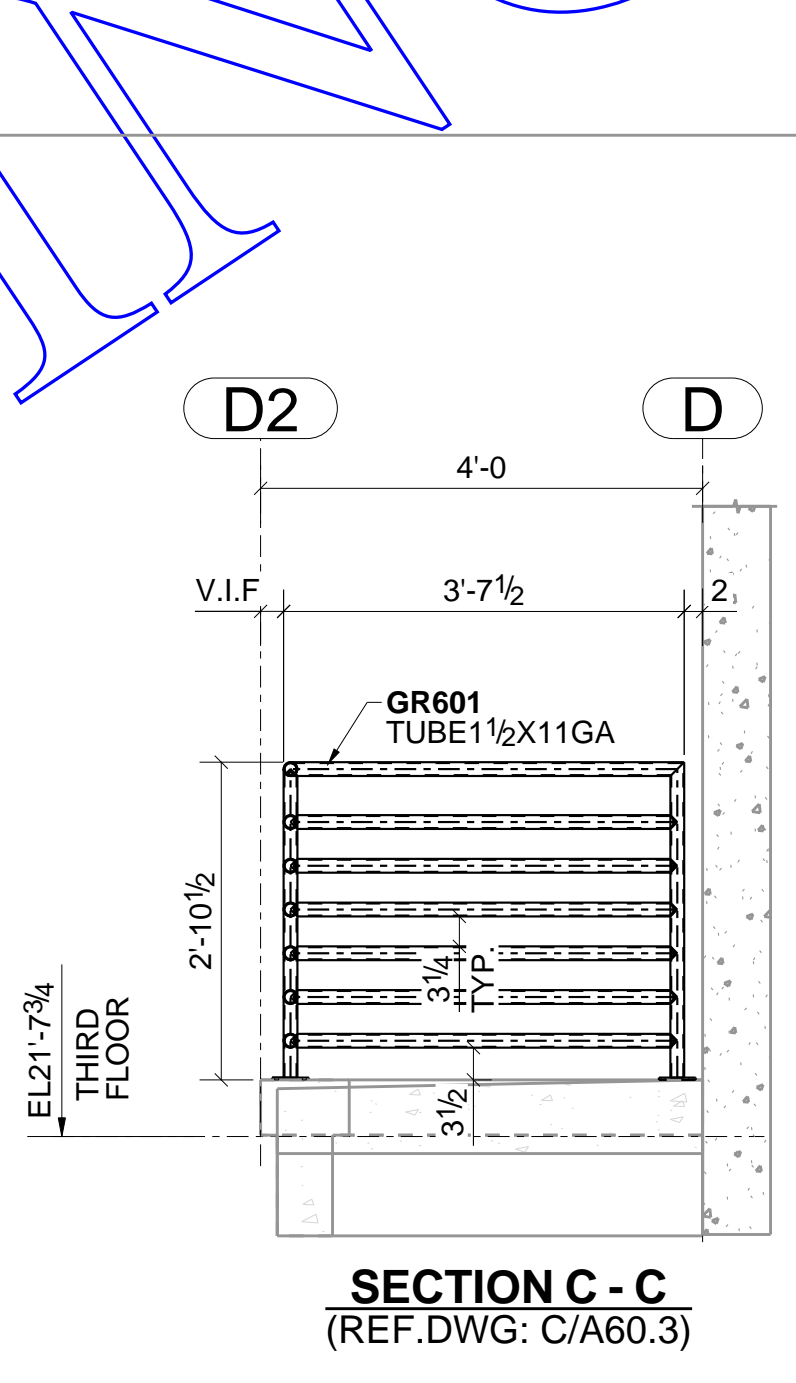
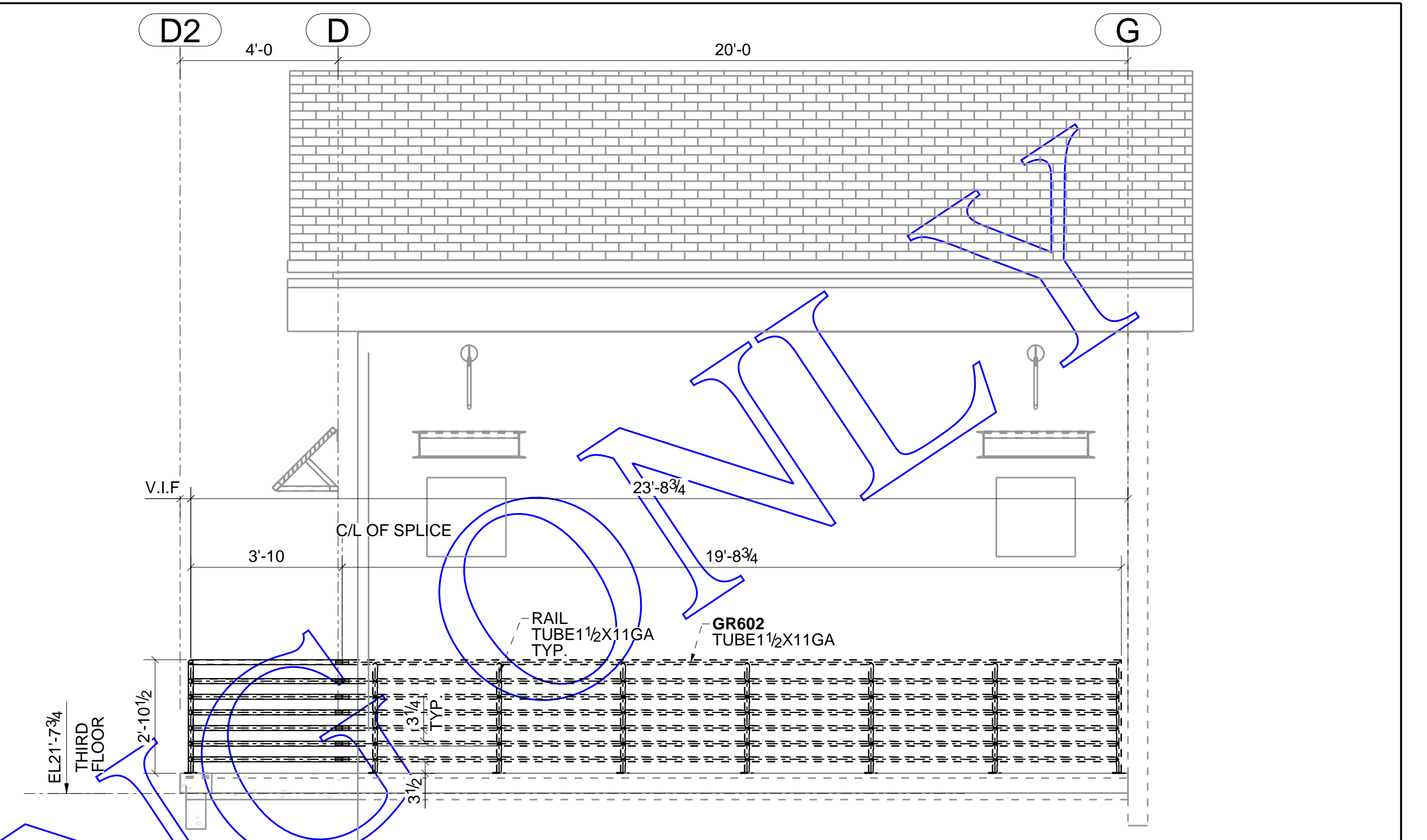
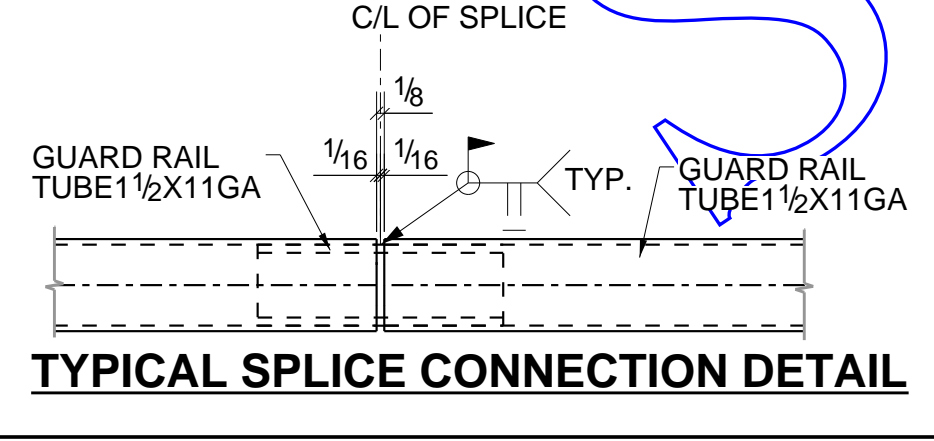
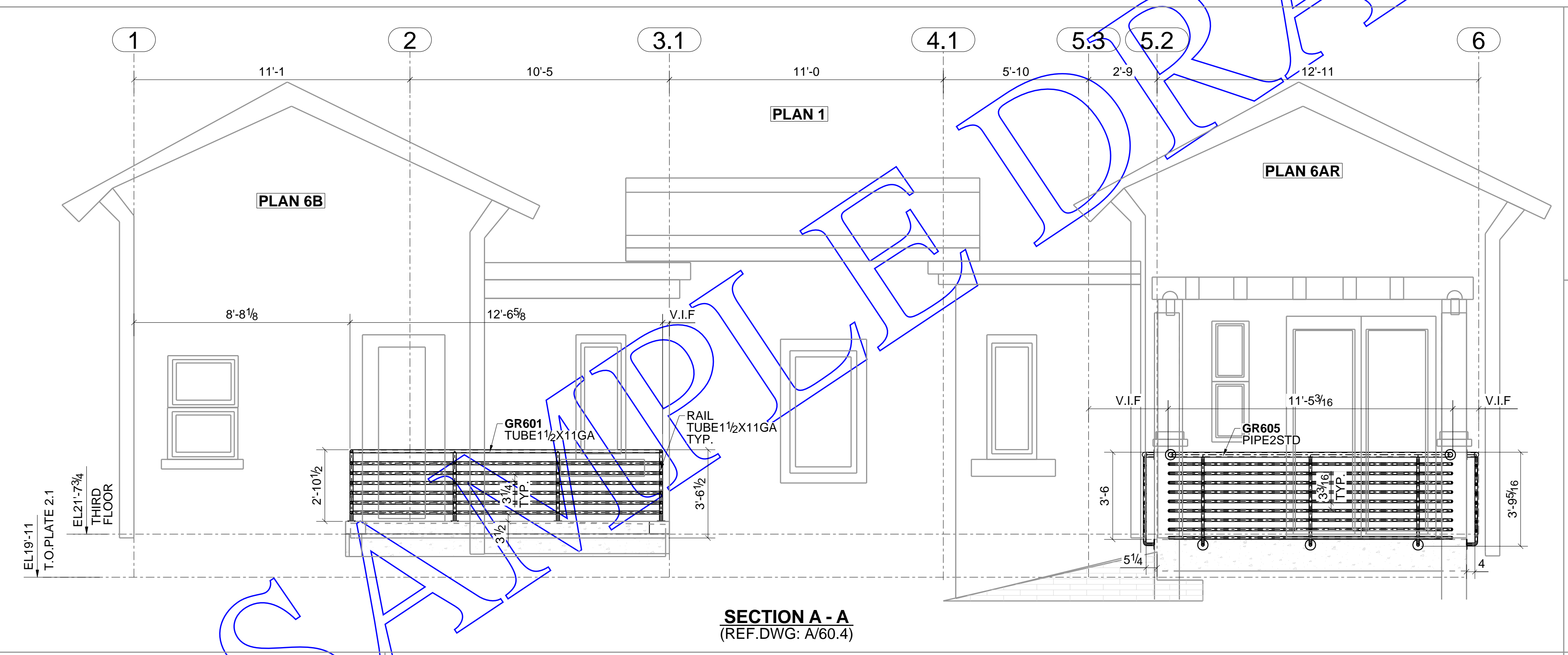
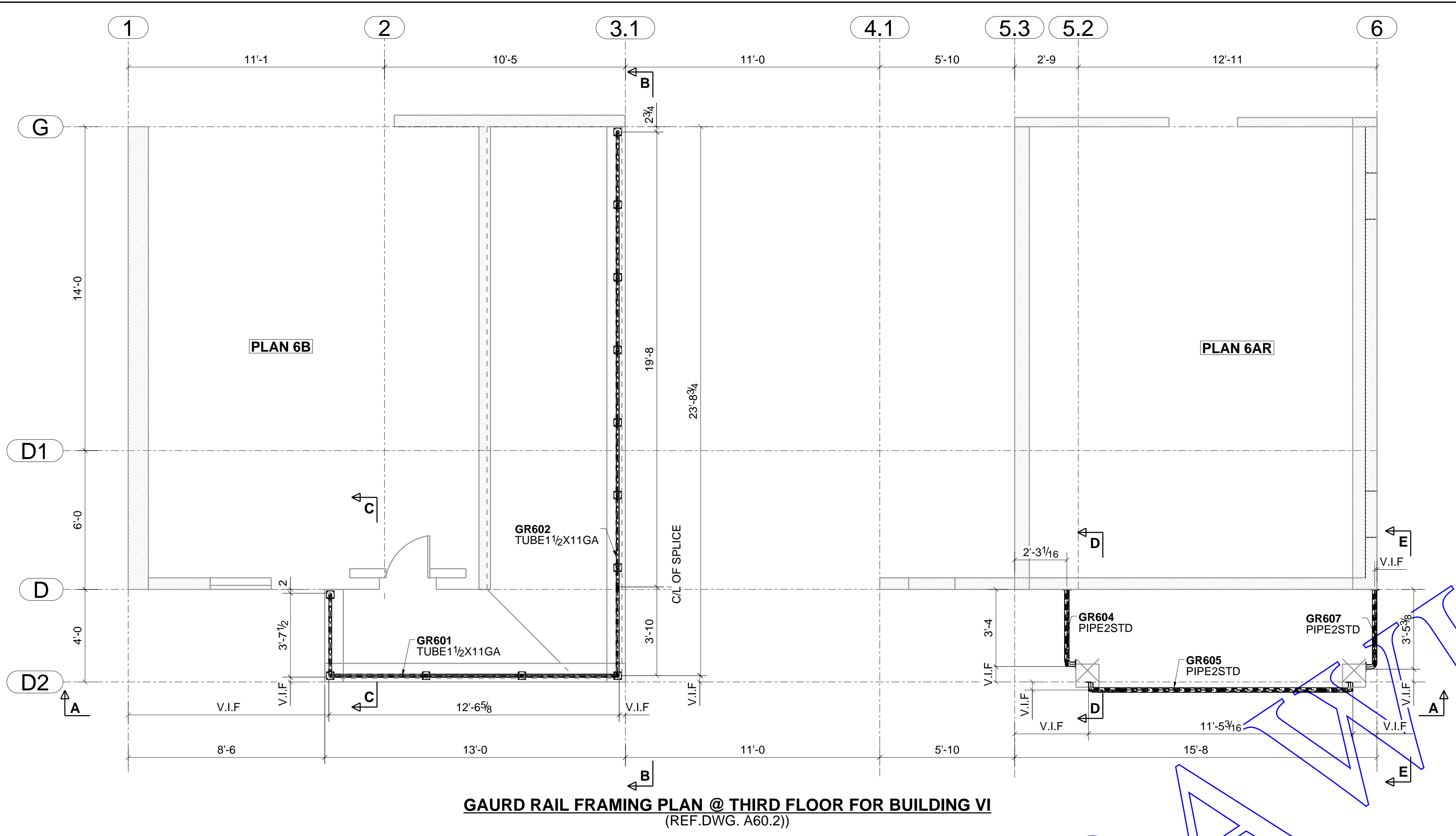
PARTIAL AWNING FRAMING PLANE @ SECOND FLOOR
REF.DWG.A/20.1



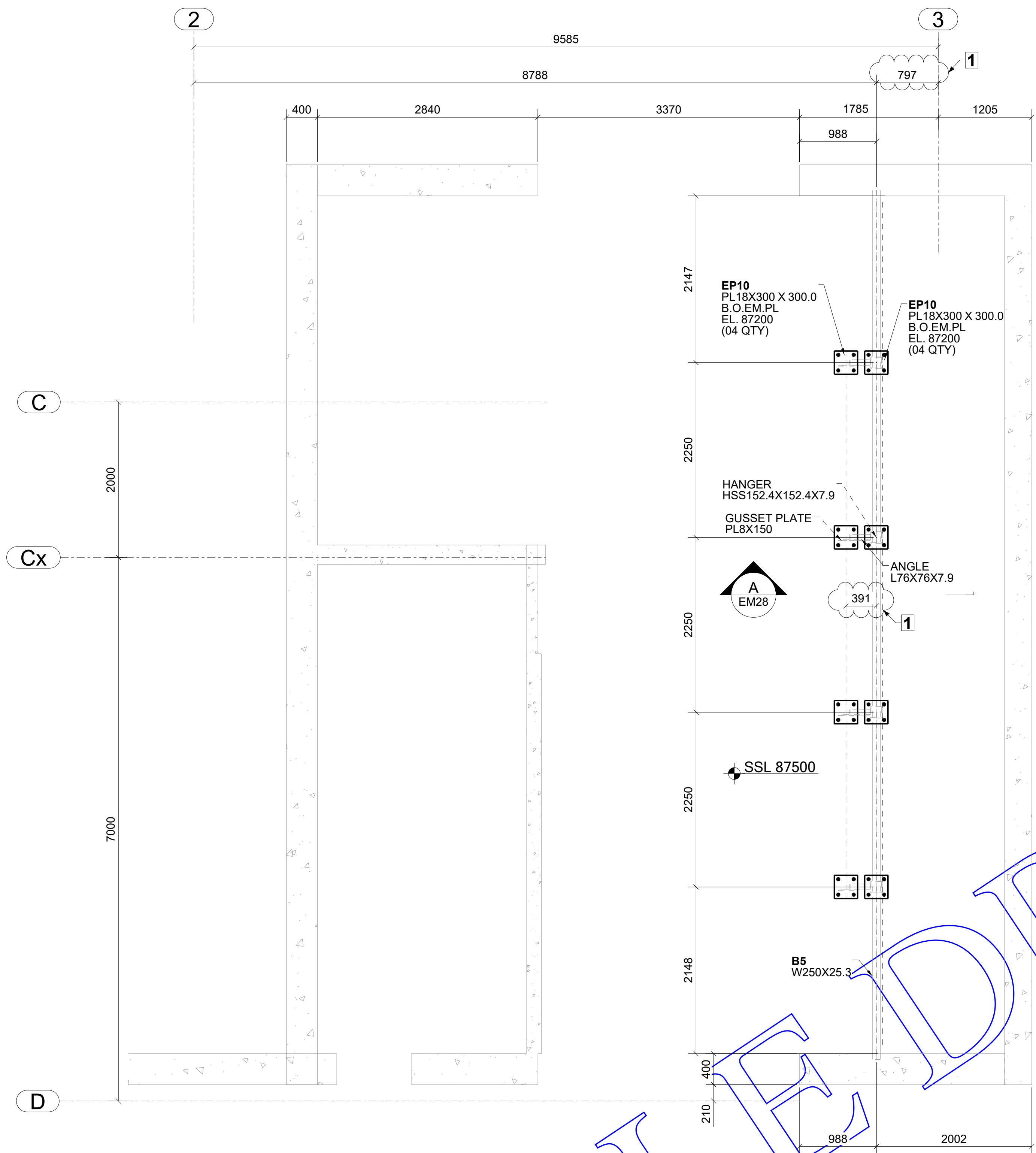
SECTION A - A
REF.DWG.A/20.4

NOTE:
FOR TYPICAL SECTIONS AND DETAILS REFER SHEET E700

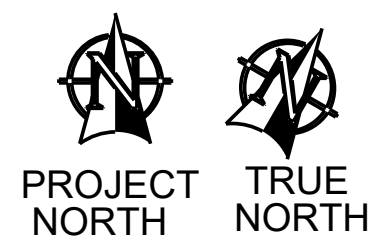
HOLE SIZE	13/16" U.N.O.			
SHOP PAINT	AS NOTED			
PRINT RECORD		SCALE:	JOB NUMBER:	PO NUMBER:
		DATE:	#1908	
		JOB DESCRIPTION:		DRAWN BY: SAM
				CHECKED BY: MAK
				DRAWING NUMBER:
				E207
		CUSTOMER:		
		TITLE:		
		PARTIAL AWNING FRAMING PLANE @ SECOND THIRD FLOOR FOR BUILDING II		



HOLE SIZE	13/16 U.N.O.		
SHOP PAINT	AS NOTED		
PRINT RECORD	SCALE:	JOB NUMBER:	PO NUMBER:
	DATE:	#1908	
	JOB DESCRIPTION:		DRAWN BY: SAM
	CUSTOMER:		CHECKED BY: MAK
	TITLE:		DRAWING NUMBER:
	GAURD RAIL FRAMING PLAN @ THIRD FLOOR FOR BUILDING VI		E603

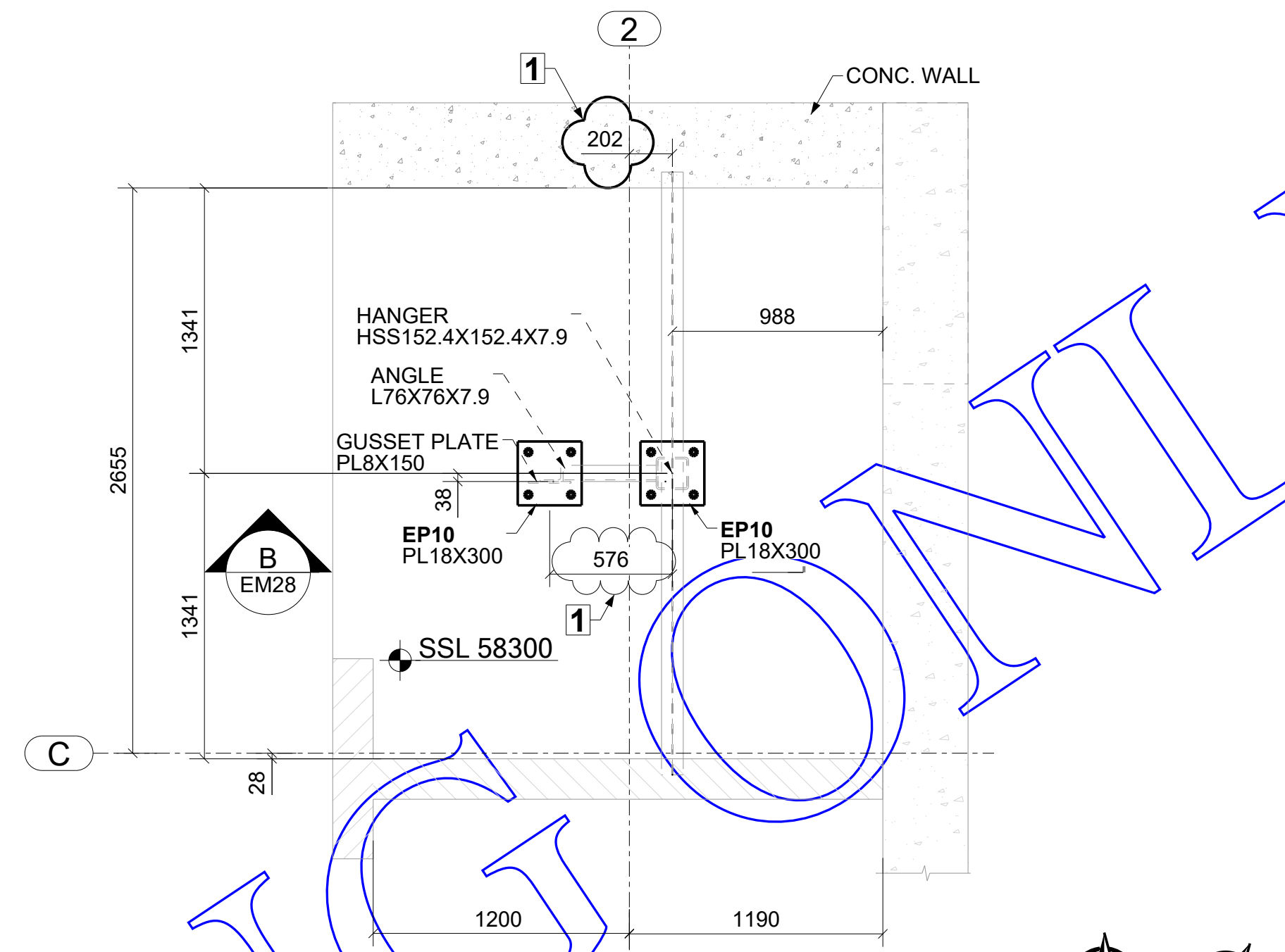


EMBED PLAN @ HOIST BEAM (AT ELEVATOR-1 THRU 4)
(REF. DWG: A2-190)

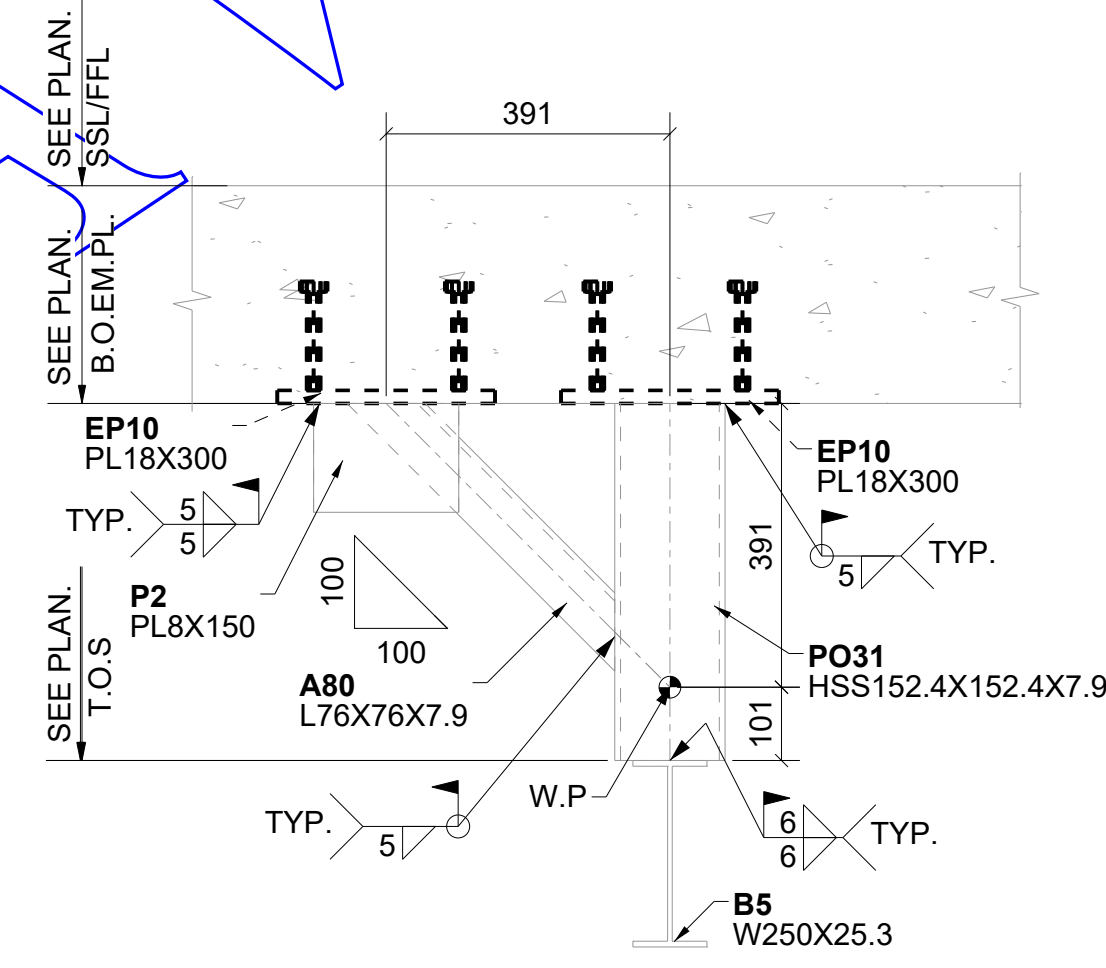
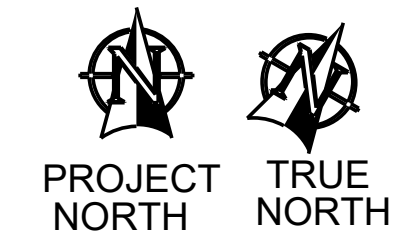


APPROVER NOTES :

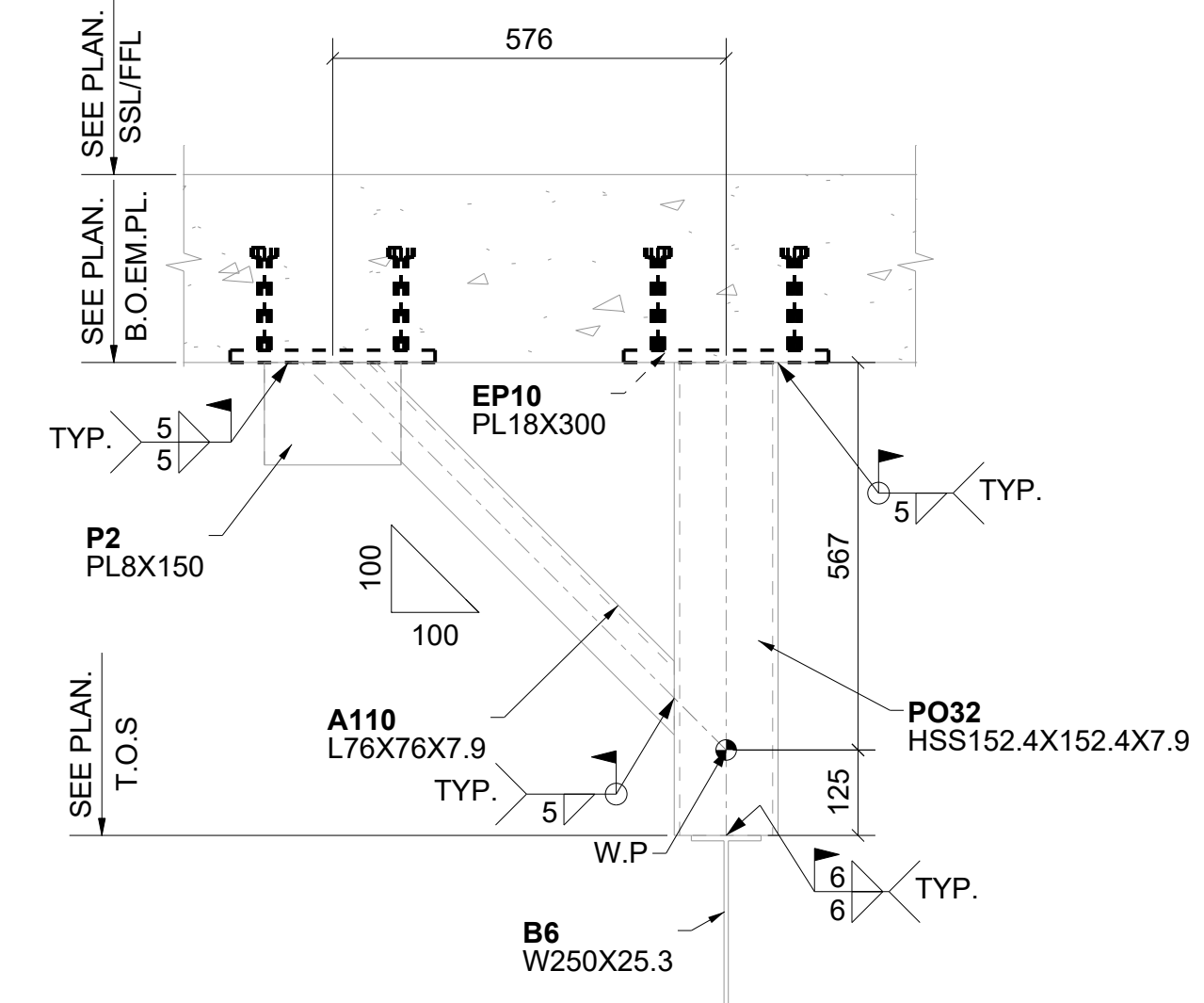
1 PLEASE VERIFY AND CONFIRM CLOUDED EMBED PLATE LOCATING DIMENSIONS.



EMBED PLAN @ HOIST BEAM (AT ELEVATOR-5)



SECTION A - A
(TYP. DETAIL AT INTERMEDIATE SUPPORT)
(REF. DWG: S107)



SECTION B - B
(TYP. DETAIL AT INTERMEDIATE SUPPORT)
(REF. DWG: S107)

Client:			
Engineer:			
Project Address:			
Project Description: Main and Misc. steel for Zibi Block 211			
Drawing Description: EMBED PLAN @ HOIST BEAM(AT ELEVATORS)			
Date:	Scale:	Drawn By: SAM	Checked By: MAK
Project Number: 2364	Drawing Number: EM28	0	

SAMPLE DRAWING ONLY